

CAB604RF: RP SMA STRAIGHT PLUG + ISOLATED RP SMA STRAIGHT BULKHEAD JACK WITH O-RING RATED TO IP67 + RG178 CABLE, 6GHz

SPECIFICATIONS :

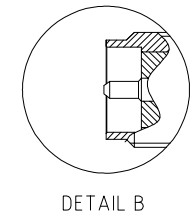
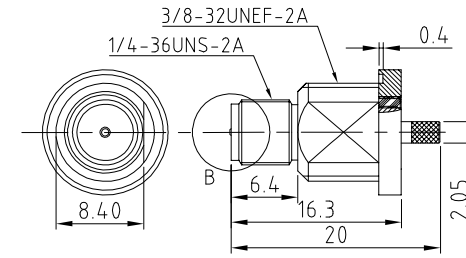
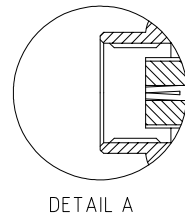
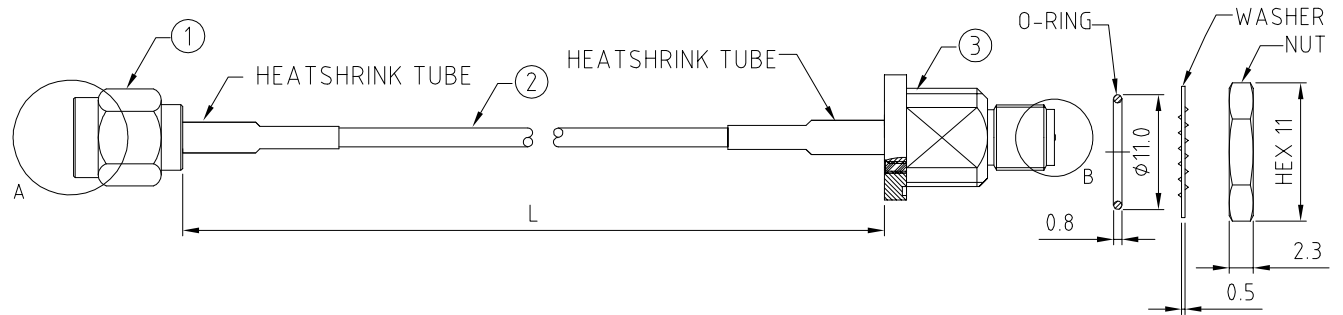
1. RP SMA STRAIGHT PLUG, P/N: RFCT-SMA017-M78.
2. RG178 COAXIAL CABLE, COLOR: BROWN.
3. ISOLATED RP SMA STRAIGHT BULKHEAD JACK WITH O-RING RATED TO IP67, NICKEL PLATED, P/N: RFCT-SMA086-F78.

ENVIRONMENTAL:

- A. BULKHEAD MOUNTED CONNECTOR (RFCT-SMA086-F78) RATED TO THE FOLLOWING SPECIFICATION:
- i. IP6X - DUST TIGHT - NO PARTICLE INGRESS.
 - ii. IPX7 WATERPROOF FOR 30 MINUTES UP TO 1 METER UNDERWATER.

NOTES:

1. WORKING FREQUENCY RANGE: DC-6GHz.
2. OPERATING TEMPERATURE: -40°C TO +125°C.
3. IMPEDANCE: 50 Ohm.
4. CARE SHOULD BE TAKEN NOT TO OVERTIGHTEN THE MATING CONNECTOR. OVERTIGHTENING RISKS COMPROMISING THE IP RATING OF THE CONNECTOR.

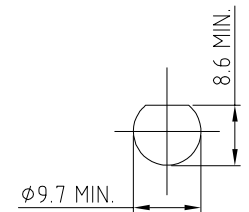


HOW TO ORDER

CAB604RF - X X X X - X - 1

"L" LENGTH IN MM:
 eg: 100MM = 0100
 (MIN. 0050-MAX.2000)
 STANDARD = 0100, 0150, 0200
 Tolerance: 50mm: ±2mm
 51-200mm: ±5mm.
 201-500mm: ±7mm.
 501-999mm: ±10mm.
 >1000mm: ± (Lx0.02)mm.

O-RING, WASHER AND NUT OPTIONS:
 BLANK = SEPARATELY PACKED (STANDARD)
 A = ASSEMBLED WITH CONNECTOR



RECOMMENDED SMA MOUNTING HOLE

REV. DATE & DRN
 11 30/10/23 - NYW RELEASE
 AMEND FOOTING HOLE SIZE

Scale: NTS	THIRD ANGLE	Unstated X ±0.2 XX ±0.2 XXX ±0.2 ANGLES N/A	Tolerances: ±0.2 ±0.2 ±0.2 N/A
Drawn: NYW			
App'd: XXX	Title CABLE ASSEMBLY		
Date: 30 OCT. '23	Revision: 1.1	Unit: mm	

NAUTILUS
 IP67 Rated Cables

GRADCONN
 www.gradconn.com

Drawing Number: CAB604RF	
Sheet 1	of 1
Drawing	E and O E