

CAB620RF: I-PEX MHF 4 PLUG + SMA 2 HOLES PANEL JACK + ϕ 0.81MM CABLE, 6GHz

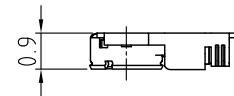
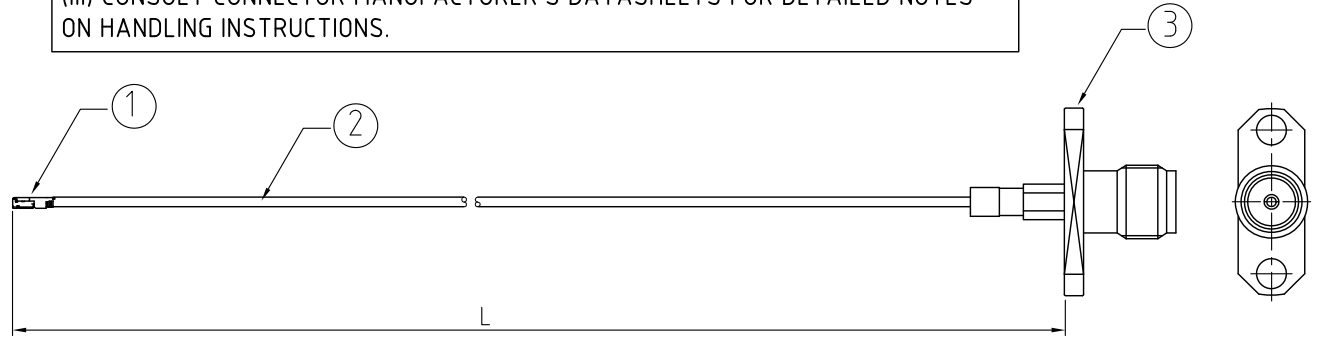
SPECIFICATIONS:

1. I-PEX MHF 4 PLUG, P/N: 20448-001R-081.
2. ϕ 0.81MM COAXIAL CABLE, GRAY.
3. SMA 2 HOLES PANEL STRAIGHT JACK, GOLD. P/N: RFCT-SMA068-F08.

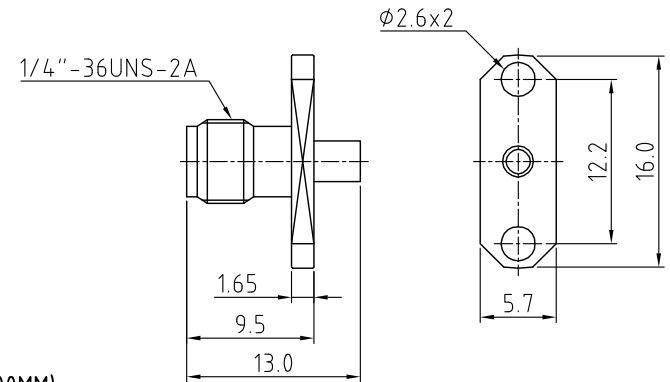
NOTES:

1. THE ORIENTATION OF CONNECTORS ON DRAWING IS FOR REFERENCE ONLY, IF THE ORDER IS LEFT BLANK THE CONNECTOR WILL NOT HAVE FIXED ORIENTATION.
2. FIXED ORIENTATION IS SUGGESTED FOR CABLE LENGTH 50MM TO 100MM. PLEASE SPECIFY THE FIXED ORIENTATIONS FROM THE ORDER CODE (F1, F2, ETC)
3. CONTACT GRAD CONN IF THE ORIENTATION YOU REQUIRE IS NOT SHOWN.
4. WORKING FREQUENCY RANGE: DC - 6GHz.
5. IMPEDANCE: 50 OHM.
6. OPERATING TEMPERATURE: -40°C TO +85°C.

USAGE PRECAUTIONS: CABLES USING 'MICRO' COAX ARE DELICATE:
 (i) HANDLE WITH CARE.
 (ii) DO NOT TWIST; APPLY EXCESSIVE FORCES OR SHARP BENDS TO THE CABLE. DO NOT FORCEFULLY DEFORM WIRES.
 (iii) CONSULT CONNECTOR MANUFACTURER'S DATASHEETS FOR DETAILED NOTES ON HANDLING INSTRUCTIONS.



I-PEX 4 DETAIL DRAWING



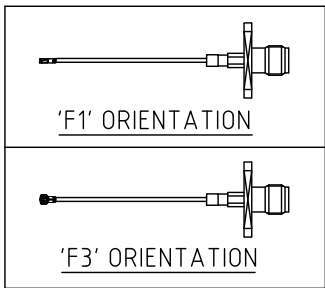
SMA JACK DETAIL DIMENSION

HOW TO ORDER
 CAB620RF - XXXX - XX - 1 - NT

"L" LENGTH IN MM
 eg: 100MM = 0100
 (MIN. 0050-MAX.0400)
 STANDARD = 0100, 0150, 0200)
 Tolerance :50mm : \pm 2mm.
 51-200mm: \pm 5mm.
 201-400mm: \pm 7mm.

CABLE SIZE:
 1 = ϕ 0.81MM CABLE, COLOR: GRAY

ORIENTATION OPTIONS:
 BLANK = DOES NOT HAVE A FIXED ORIENTATION
 F1 = MHF CONNECTION DOWN (L=50-200MM)
 F3 = MHF CONNECTION AND HEX SAME ORIENTATION (L=50-200MM)
 (SEE NOTES 1, 2, 3 AND DIAGRAMS FOR MORE INFORMATION)



REV. DATE & DRN
 10 19/02/23 - NYW RELEASE
 11 20/02/23 - NYW
 12 REMOVE HEAT SHRINK TUBE.
 13 REMOVE ORIENTATION OPTION 'F2'
 14 REMOVE ORIENTATION OPTION 'F3'
 15 23/02/24 - CC
 ADD ORIENTATION OPTION 'F3'

Scale: NTS	THIRD ANGLE	Unstated .X .XX .XXX ANGLES	Tolerances: \pm 0.2 \pm 0.2 \pm 0.2 N/A	Material SEE NOTE
Drawn: CC				
App'd: XXX	Title CABLE ASSEMBLY	NOT TO SCALE		
Date: 23 FEB. '24	Revision: 1.3	Unit: mm		



THIS DRAWING IS CONFIDENTIAL AND MUST NOT BE COPIED OR DISCLOSED WITHOUT WRITTEN CONSENT

Drawing Number: CAB620RF	
Sheet 1	of 1
Drawing	E and O E