

CAB633RF: SMA R/A PLUG + BNC STRAIGHT BULKHEAD JACK WITH O-RING RATED TO IP67/68 + RG174 CABLE, 3GHz

SPECIFICATIONS:

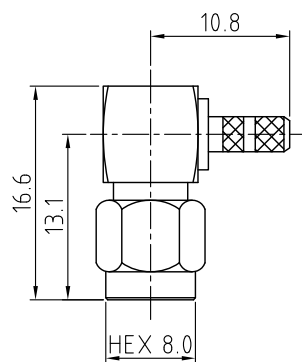
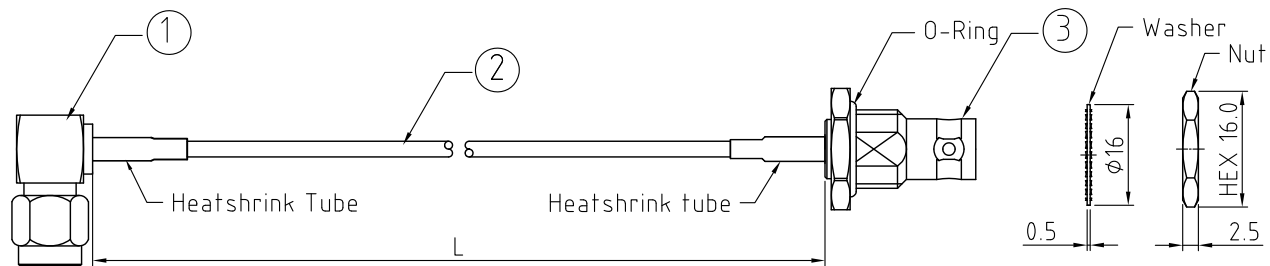
1. SMA RIGHT ANGLE PLUG, P/N: RFCT-SMA030-M74.
2. RG174 COAXIAL CABLE, COLOR: BLACK.
3. BNC STRAIGHT BULKHEAD JACK WITH O-RING RATED TO IP67/68, P/N: RFCT-BNC001-F74.

ENVIRONMENTAL:

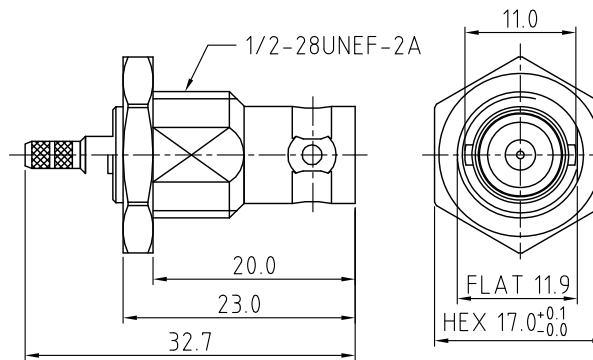
- A. BULKHEAD MOUNTED CONNECTOR (RFCT-BNC001-F74) TESTED TO THE FOLLOWING SPECIFICATION:
- i. IP6X - DUST TIGHT - NO PARTICLE INGRESS.
 - ii. IPX7 WATERPROOF FOR 30 MINUTES UP TO 1 METER UNDERWATER.
 - iii. IPX8 WATERPROOF FOR 48 HOURS AT 1 METER UNDERWATER.
 - iv. IPX8 WATERPROOF FOR 12 HOURS AT 5 METERS UNDERWATER.
 - v. PRESSURE TEST - 1 BAR FOR 10 SECONDS.

NOTES:

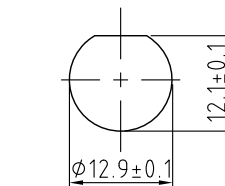
1. THE ORIENTATION OF CONNECTORS ON DRAWING IS FOR REFERENCE ONLY, IF THE ORDER IS LEFT BLANK THE CONNECTOR WILL NOT HAVE FIXED ORIENTATION.
2. FIXED ORIENTATION IS SUGGESTED FOR CABLE LENGTH 50MM TO 100MM. PLEASE SPECIFY THE FIXED ORIENTATIONS FROM THE ORDER CODE (F1, F2, ETC)
3. CONTACT GRAD CONN IF THE ORIENTATION YOU REQUIRE IS NOT SHOWN.
4. WORKING FREQUENCY RANGE: DC-3GHz.
5. OPERATING TEMPERATURE: -20°C TO +80°C.
6. IMPEDANCE: 50 OHM



SMA DETAIL DRAWING



BNC DETAIL DRAWING



RECOMMENDED BNC MOUNTING HOLE

HOW TO ORDER

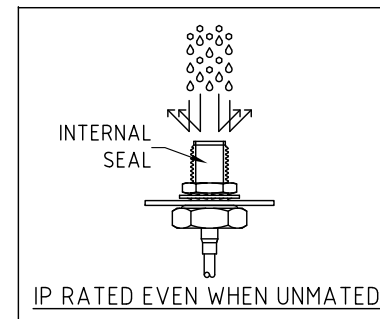
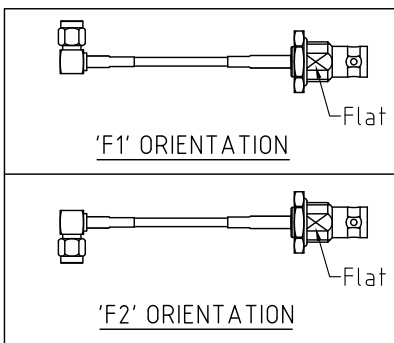
CAB633RF - X X X X - X X - X - 1

"L" LENGTH IN MM
 eg: 100MM = 0100
 (MIN. = 0050, MAX. = 2000,
 STANDARD = 0100, 0150, 0200)
 Tolerance: 50-200mm: ±5mm.
 201-500mm: ±7mm.
 >500mm: ±10mm.

CABLE SIZE:
 1 = RG174 CABLE, COLOR: BLACK

O-RING, WASHER AND NUT OPTIONS:
 BLANK = SEPARATELY PACKED (STANDARD)
 A = ASSEMBLED WITH CONNECTOR

ORIENTATION OPTIONS:
 BLANK = DOES NOT HAVE A FIXED ORIENTATION
 F1 = SMA CONNECTION DOWN (L=25-200MM)
 F2 = SMA CONNECTION UP (L=25-200MM)
 (SEE NOTES 1, 2, 3 AND DIAGRAMS FOR MORE INFORMATION)



Scale: NTS	THIRD ANGLE	Unstated .X .XX .XXX ANGLES	Tolerances: N/A N/A N/A N/A
Drawn: CC			
App'd: XXX	Title CABLE ASSEMBLY		
Date: 25 APR. '24	Revision: 1.1	Unit: mm	



IP Rated RF Products



www.gradconn.com

THIS DRAWING IS CONFIDENTIAL AND MUST NOT BE COPIED OR DISCLOSED WITHOUT WRITTEN CONSENT

Drawing Number: CAB633RF	
Sheet 1	of 1
Drawing	E and O E