

RFCT-SMA-CAP-GS-6: SUS316 PROTECTIVE CAP WITH GASKET FOR SMA JACK, IP67

Material and Plating:

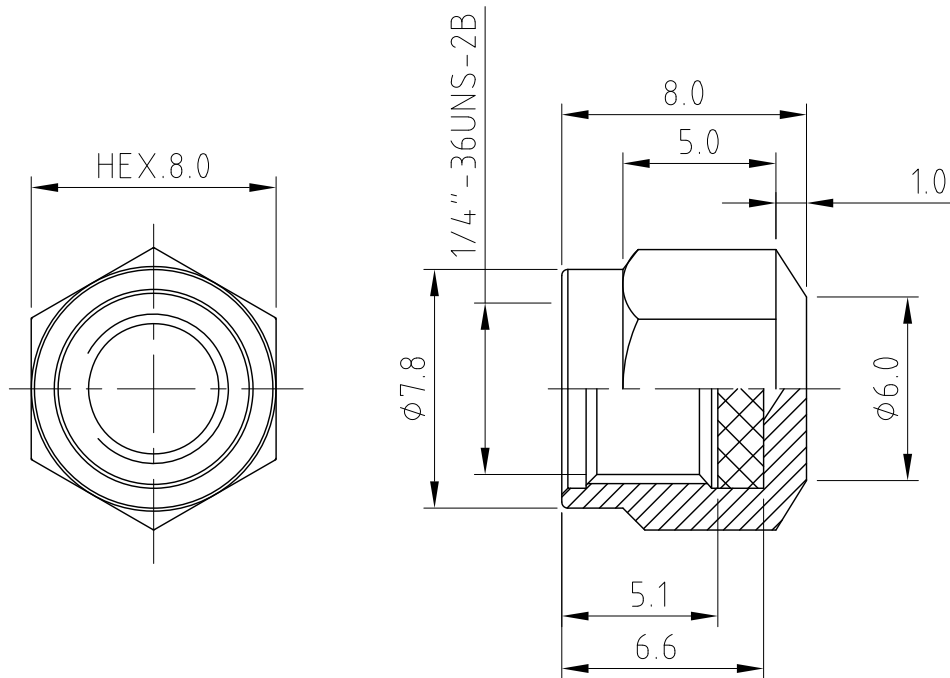
1. Shell: stainless steel (SUS316), passivated.
2. Gasket: EPDM, color: black.

Environmental:

1. This product rated to IP67.
2. In order to achieve IP67 this cap is intended for use in conjunction with all rear mount SMA connectors from the GradConn Nautilus range.
3. GradConn will accept no responsibility for the performance of this cap if it is used with connectors not from the Nautilus range.

Notes:

1. In order to achieve IP67 sealing, then at least 5.64mm of thread on the SMA bulkhead jack is required. If there is less than 5.64mm thread then the cap will not achieve IP67. Contact GradConn for more information.
2. Operating temperature: -40°C~+125°C.
3. Caps to be installed finger tight only. Do not overtighten.



REV. DATE & DRN  
TO 06/08/24 - CC RELEASE

Scale: NTS	THIRD ANGLE	Unstated .X .XX .XXX ANGLES	Tolerances: ±0.20 ±0.10 ±0.05 N/A
Drawn: CC			
App'd: XXX	Title SMA CAP		
Date: 6 AUG. '24	Revision: 1.0	Unit: mm	



IP Rated RF Products



www.gradconn.com

© THIS DRAWING IS CONFIDENTIAL AND MUST NOT BE COPIED OR DISCLOSED WITHOUT WRITTEN CONSENT

Type: RFCT-SMA-CAP-GS-6
RFCT-SMA-CAP-GS-6
Drawing Number:
Sheet 1 of 1
Drawing © E and O E