

CAB551RF: I-PEX MHF 4L PLUG + SMA RIGHT ANGLE BULKHEAD JACK + 1.13 MM CABLE, 6GHz

SPECIFICATIONS:

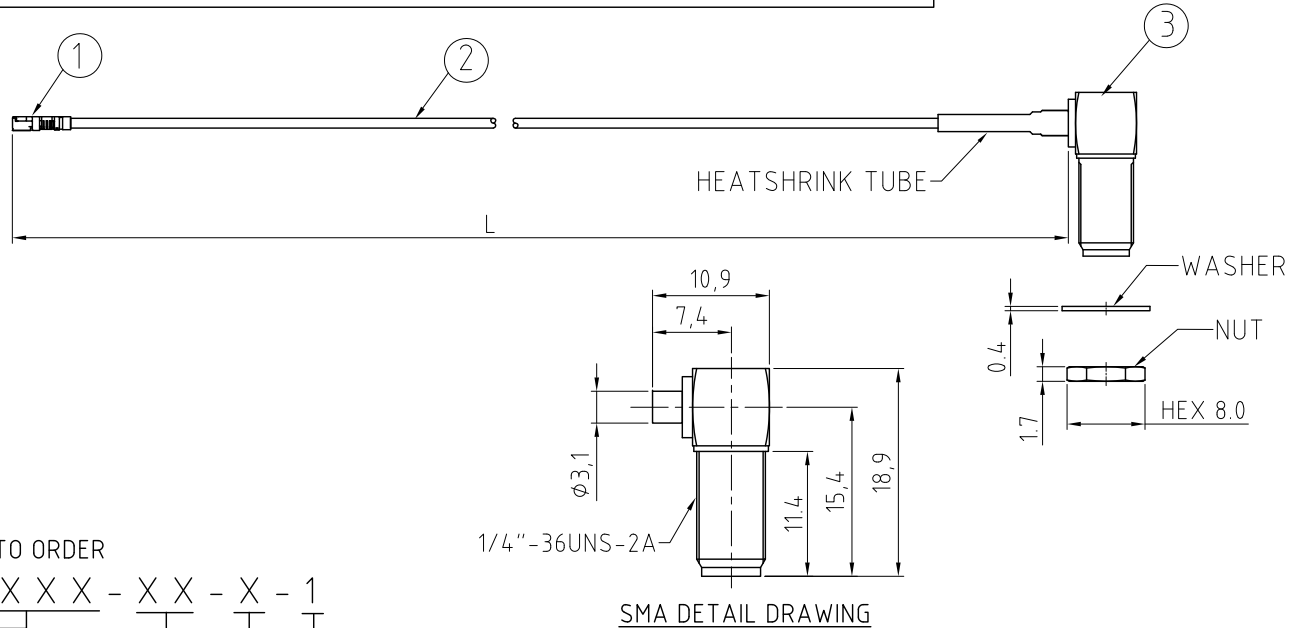
1. I-PEX MHF 4L PLUG, P/N: 20565-001R-13.
2. ϕ 1.13MM COAXIAL CABLE, COLOR: BLACK
3. SMA RIGHT ANGLE BULKHEAD JACK, P/N: RFCT-SMA066-F13.

NOTES:

1. THE ORIENTATION OF CONNECTORS ON DRAWING IS FOR REFERENCE ONLY, IF THE ORDER IS LEFT BLANK THE CONNECTOR WILL NOT HAVE FIXED ORIENTATION.
2. FIXED ORIENTATION IS POSSIBLE FOR CABLE LENGTH 50MM TO 200MM. PLEASE SPECIFY THE FIXED ORIENTATIONS FROM THE ORDER CODE (F1, F2, ETC).
3. CONTACT GRAD CONN IF THE ORIENTATION YOU REQUIRE IS NOT SHOWN.
4. WORKING FREQUENCY RANGE: DC - 6GHz.
5. OPERATING TEMPERATURE: -40°C TO +85°C
6. IMPEDANCE: 50 OHM.

USAGE PRECAUTIONS: CABLES USING 'MICRO' COAX ARE DELICATE:

- (i) HANDLE WITH CARE.
- (ii) DO NOT TWIST; APPLY EXCESSIVE FORCES OR SHARP BENDS TO THE CABLE. DO NOT FORCEFULLY DEFORM WIRES.
- (iii) CONSULT CONNECTOR MANUFACTURER'S DATASHEETS FOR DETAILED NOTES ON HANDLING INSTRUCTIONS.



HOW TO ORDER

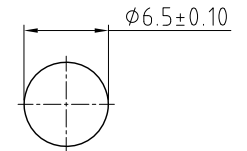
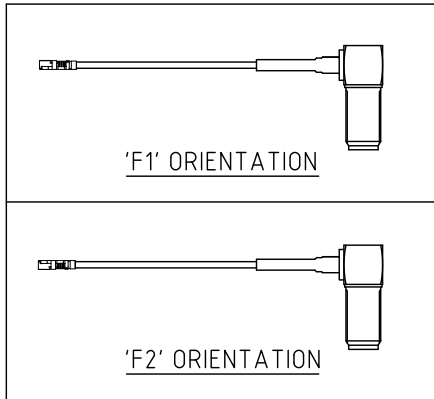
CAB551RF - X X X X - X X - X - 1

"L" LENGTH IN MM
 eg: 100MM = 0100
 (MIN.0050-MAX.0400
 STANDARD = 0100, 0150, 0200)
 Tolerance: 50mm : \pm 2mm.
 51-200mm: \pm 5mm.
 201-400mm: \pm 7mm.

CABLE SIZE:
 1 = ϕ 1.13MM CABLE, COLOR: BLACK

WASHER AND NUT OPTIONS:
 BLANK = SEPERATELY PACKED (STANDARD)
 A = ASSEMBLED WITH CONNECTOR

BLANK = DOES NOT HAVE A FIXED ORIENTATION
 F1 = OPPOSITE ORIENTATION (L=50-200MM)
 F2 = SAME ORIENTATION (L=50-200MM)
 (SEE NOTES 1, 2, 3 AND DIAGRAMS FOR MORE INFORMATION)



RECOMMENDED SMA MOUNTING HOLE

REV. DATE & DRN
 11. 24/07/23 - NYM RELEASE
 AMEND I-PEX 4L DRAWING
 12. 10/07/24 - CC
 Add frequency info to title
 Add plug detail view
 Add SMA length DRN
 11.4 to detail view.

Scale: NTS	THIRD ANGLE	Unstated Tolerances: .X \pm 0.2 .XX \pm 0.2 .XXX \pm 0.2 ANGLES N/A	Material SEE NOTE
Drawn: CC			
App'd: XXX	Title CABLE ASSEMBLY	NOT TO SCALE	
Date: 10 JUL '24	Revision: 1.2	Unit: mm	



THIS DRAWING IS CONFIDENTIAL AND MUST NOT BE COPIED OR DISCLOSED WITHOUT WRITTEN CONSENT

Drawing Number: CAB551RF	
Sheet 1	of 1
Drawing	E and O E