

CAB558RF: SMA STRAIGHT PLUG + ISOLATED SMA STRAIGHT BULKHEAD JACK WITH O-RING RATED TO IP67 + RG178 CABLE, 6GHz

SPECIFICATIONS :

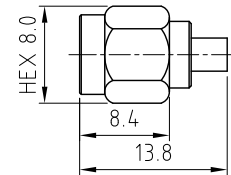
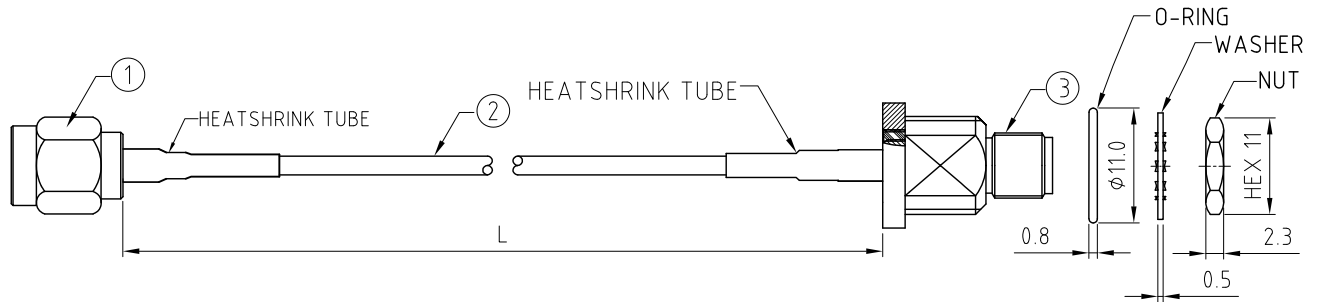
1. SMA STRAIGHT PLUG, P/N: RFCT-SMA022-M78.
2. RG178 COAXIAL CABLE, COLOR: BROWN.
3. ISOLATED SMA STRAIGHT BULKHEAD JACK WITH O-RING RATED TO IP67, NICKEL PLATED, P/N: RFCT-SMA085-F78.

ENVIRONMENTAL:

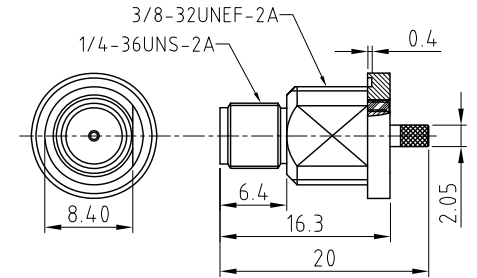
- A. BULKHEAD MOUNTED CONNECTOR (RFCT-SMA085-F78) RATED TO THE FOLLOWING SPECIFICATION:
- i. IP6X - DUST TIGHT - NO PARTICLE INGRESS.
 - ii. IPX7 WATERPROOF FOR 30 MINUTES UP TO 1 METER UNDERWATER.

NOTES:

1. WORKING FREQUENCY RANGE: DC-6GHz.
2. OPERATING TEMPERATURE: -40 °C TO +125°C.
3. IMPEDANCE: 50 Ohm.
4. CARE SHOULD BE TAKEN NOT TO OVERTIGHTEN THE MATING CONNECTOR. OVERTIGHTENING RISKS COMPROMISING THE IP RATING OF THE CONNECTOR.



SMA PLUG DETAIL DRAWING



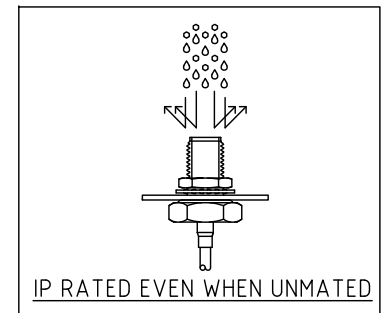
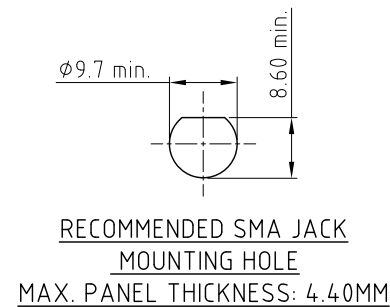
SMA JACK DETAIL DRAWING

HOW TO ORDER
CAB558RF - X X X X - X - 1

"L" LENGTH IN MM:
eg: 100MM = 0100
(MIN. 0050-MAX.2000)
STANDARD = 0100, 0150, 0200
Tolerance: 50-200mm: ±5mm.
201-500mm: ±7mm.
>500mm: ±10mm.

CABLE OPTIONS:
1 = RG178 CABLE, COLOR: BROWN

WASHER AND NUT OPTIONS:
BLANK = SEPARATELY PACKED (STANDARD)
A = ALL ASSEMBLED WITH CONNECTOR



REV. DATE E. DRN
10 18/03/23 - INTX RELEASE
11 07/06/24 - CC
ADD IP RATING VIEW
ADD SMA PLUG DETAIL VIEW
12 02/07/24 - CC
ADD panel thickness 4.40 max.

Scale: NTS	THIRD ANGLE	Unstated Tolerances:
Drawn: CC		.X ±0.2 .XX ±0.2 .XXX ±0.2 ANGLES N/A
App'd: XXX	Title CABLE ASSEMBLY	
Date: 2 JUL '24	Revision: 1.2	Unit: mm



IP Rated RF Products



www.gradconn.com

Drawing Number: CAB558RF	
Sheet 1	of 1
Drawing	E and O E