

CAB560RF: I-PEX MHF I LK PLUG + BNC STRAIGHT BULKHEAD JACK WITH O-RING RATED TO IP67/68 + Ø1.37MM CABLE, 3GHz

SPECIFICATIONS:

1. IPEX MHF I LK PLUG, P/N: 20670-001R-37 + 3376-000
2. Ø1.37MM COAXIAL CABLE, COLOR: BLACK.
3. BNC STRAIGHT BULKHEAD JACK WITH O-RING RATED TO IP67/68, P/N: RFCT-BNC006-F78.

ENVIRONMENTAL:

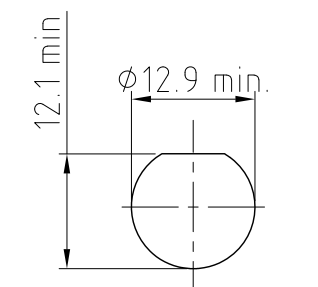
A. BULKHEAD MOUNTED CONNECTOR (RFCT-BNC006-F78) TESTED TO THE FOLLOWING SPECIFICATION:

- i. IP6X - DUST TIGHT - NO PARTICLE INGRESS.
- ii. IPX7 WATERPROOF FOR 30 MINUTES UP TO 1 METER UNDERWATER.
- iii. IPX8 WATERPROOF FOR 48 HOURS AT 1 METER UNDERWATER.
- iv. IPX8 WATERPROOF FOR 12 HOURS AT 5 METERS UNDERWATER.
- v. PRESSURE TEST - 1 BAR FOR 10 SECONDS.

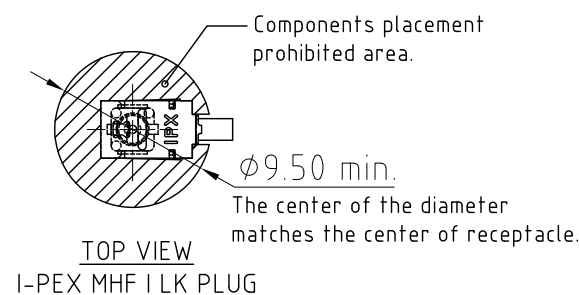
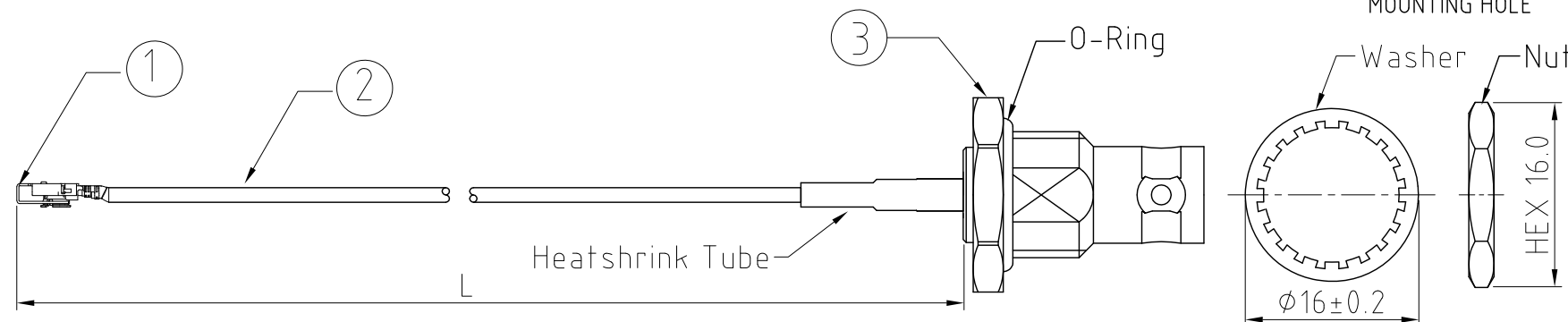
NOTES:

1. THE ORIENTATION OF CONNECTORS ON DRAWING IS FOR REFERENCE ONLY, IF THE ORDER IS LEFT BLANK THE CONNECTOR WILL NOT HAVE FIXED ORIENTATION.
2. FIXED ORIENTATION IS SUGGESTED FOR CABLE LENGTH 25MM TO 100MM. PLEASE SPECIFY THE FIXED ORIENTATIONS FROM THE ORDER CODE (F1, F2, ETC)
3. CONTACT GRAD CONN IF THE ORIENTATION YOU REQUIRE IS NOT SHOWN.
4. WORKING FREQUENCY RANGE: DC-3GHz.
5. OPERATING TEMPERATURE: -40°C TO +85°C.
6. IMPEDANCE: 50 OHM.

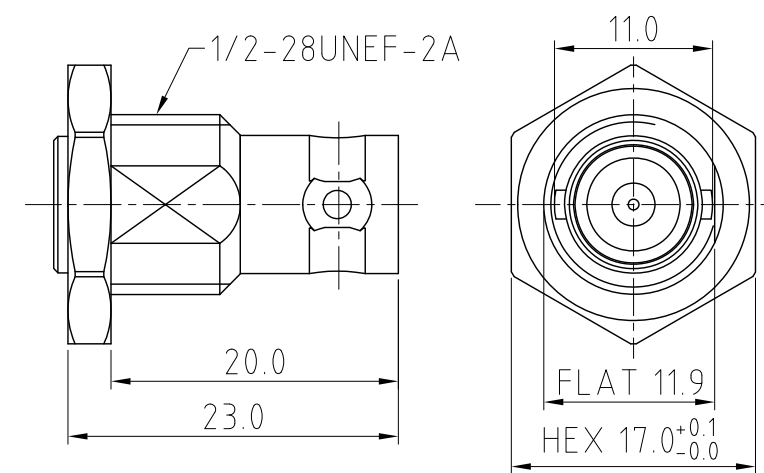
USAGE PRECAUTIONS: CABLES USING 'MICRO' COAX ARE DELICATE:
 (i) HANDLE WITH CARE.
 (ii) DO NOT TWIST; APPLY EXCESSIVE FORCES OR SHARP BENDS TO THE CABLE. DO NOT FORCEFULLY DEFORM WIRES.
 (iii) CONSULT CONNECTOR MANUFACTURER'S DATASHEETS FOR DETAILED NOTES ON HANDLING INSTRUCTIONS.



RECOMMENDED TNC MOUNTING HOLE



TOP VIEW I-PEX MHF I LK PLUG



BNC DETAIL DRAWING

HOW TO ORDER

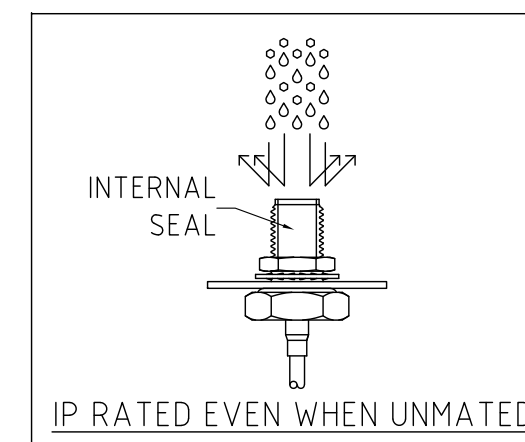
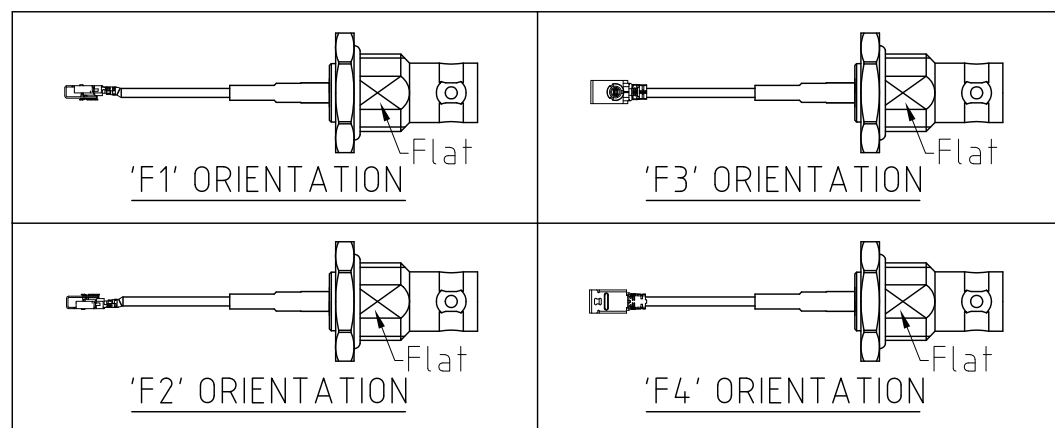
CAB560RF - X X X X - X X - X - 1

"L" LENGTH IN MM
 eg: 100MM = 0100
 (MIN.: 0050, MAX.: 0400,
 STANDARD = 0100, 0150, 0200)
 Tolerance: 50mm: ±2mm
 50-200mm: ±5mm.
 201-400mm: ±7mm.

CABLE SIZE:
 1 = Ø1.37MM CABLE, COLOR: BLACK

O-RING, WASHER AND NUT OPTIONS:
 BLANK = SEPARATELY PACKED (STANDARD)
 A = ASSEMBLED WITH CONNECTOR

ORIENTATION OPTIONS:
 BLANK = DOES NOT HAVE A FIXED ORIENTATION
 F1 = MHF CONNECTION DOWN (L=25-200MM)
 F2 = MHF CONNECTION UP (L=25-200MM)
 F3 = MHF CONNECTION SAME AS BNC D-FLAT (L=25-200MM)
 F4 = MHF CONNECTION OPPOSITE TO BNC D-FLAT (L=25-200MM)
 (SEE NOTES 1, 2, 3 AND DIAGRAMS FOR MORE INFORMATION)



Drawing Number:

CAB560RF

Sheet 1 of 1

Drawing © E and O E

Scale: NTS	THIRD ANGLE	Unstated Tolerances: .X ±0.2 .XX ±0.2 .XXX ±0.2 ANGLES N/A
Drawn: CC		
App'd: XXX	Title CABLE ASSEMBLY	
Date: 11 JUN. '24	Revision: 1.1	Unit: mm



IP Rated RF Products



www.gradconn.com

© THIS DRAWING IS CONFIDENTIAL AND MUST NOT BE COPIED OR DISCLOSED WITHOUT WRITTEN CONSENT