

CAB580RF: MMCX R/A PLUG + S/S FRONT MOUNT TNC FEMALE S/T BULKHEAD JACK W/O-RING RATED TO IP67/68 + RG178 CABLE, 6GHz

SPECIFICATIONS :

1. MMCX RIGHT ANGLE PLUG, P/N: RFCT-MMCX003-M78.
2. RG178 COAXIAL CABLE, COLOR: BROWN.
3. FRONT MOUNT TNC STRAIGHT BULKHEAD JACK W/O-RING, W/SUS303 STAINLESS STEEL BODY, RATED TO IP67/68, P/N: RFCT-TNC021-F78-1 (WITH EPDM O-RING).
RFCT-TNC021-F78 (WITH SILICONE RUBBER O-RING).

USAGE PRECAUTIONS: CABLES USING 'MICRO' COAX ARE DELICATE:

- (i) HANDLE WITH CARE.
- (ii) DO NOT TWIST; APPLY EXCESSIVE FORCES OR SHARP BENDS TO THE CABLE. DO NOT FORCEFULLY DEFORM WIRES.
- (iii) CONSULT CONNECTOR MANUFACTURER'S DATASHEETS FOR DETAILED NOTES ON HANDLING INSTRUCTIONS.

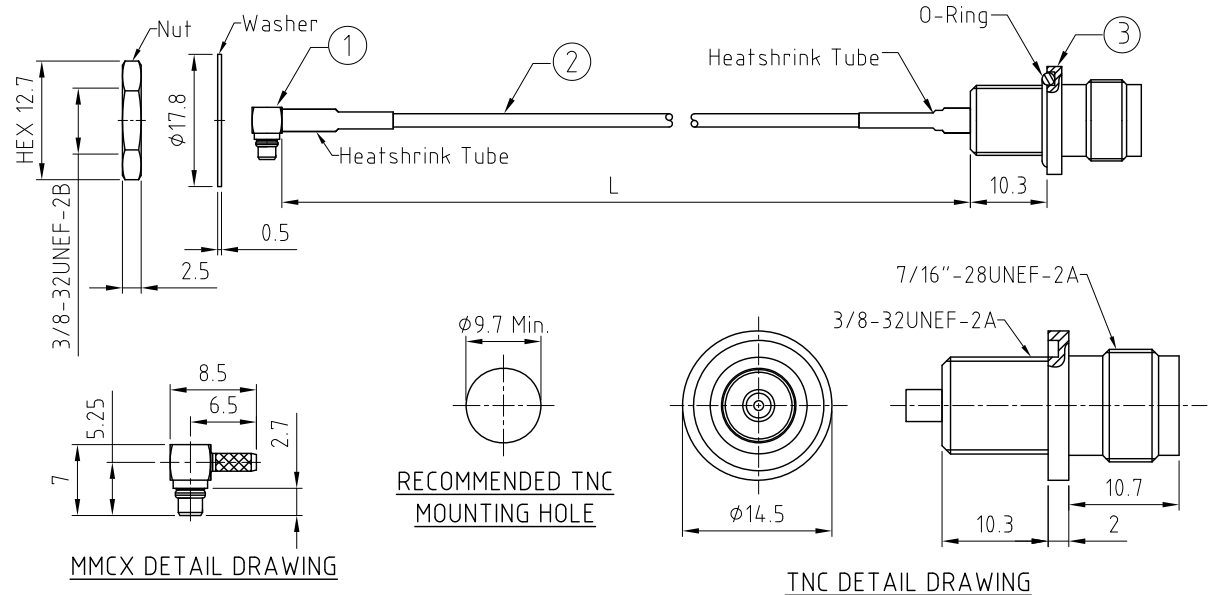
ENVIRONMENTAL:

A. BULKHEAD MOUNTED CONNECTOR (RFCT-TNC021-F78) RATED TO THE FOLLOWING SPECIFICATION:

- i. IP6X - DUST TIGHT - NO PARTICLE INGRESS.
- ii. IPX7 WATERPROOF FOR 30 MINUTES UP TO 1 METER UNDERWATER.
- iii. IPX8 WATERPROOF FOR 48 HOURS AT 1 METER UNDERWATER.

NOTES:

1. THE ORIENTATION OF CONNECTORS ON DRAWING IS FOR REFERENCE ONLY, IF THE ORDER IS LEFT BLANK THE CONNECTOR WILL NOT HAVE FIXED ORIENTATION.
2. FIXED ORIENTATION IS SUGGESTED FOR CABLE LENGTH 50MM TO 100MM. PLEASE SPECIFY THE FIXED ORIENTATIONS FROM THE ORDER CODE (F1, F2, ETC)
3. CONTACT GRADCONN IF THE ORIENTATION YOU REQUIRE IS NOT SHOWN.
4. WORKING FREQUENCY RANGE: DC-6GHz.
5. OPERATING TEMPERATURE: -40°C TO +85°C
6. IMPEDANCE: 50 OHM
7. IF THE CONNECTOR IS USED IN A CORROSIVE ENVIRONMENT, WE RECOMMEND THE CONNECTOR FACE IS PROTECTED WITH A STAINLESS STEEL DUST CAP.
8. PLEASE USE THE RECOMMENDED TORQUE FORCES FOR STAINLESS STEEL CONNECTORS. THIS IS PUBLISHED ON GRADCONN.COM RESOURCES PAGE.



MMCX DETAIL DRAWING

TNC DETAIL DRAWING

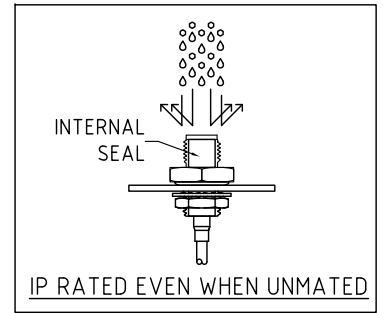
HOW TO ORDER

CAB580RF - X X X X - X - 1 - E

"L" LENGTH IN MM:
eg: 100MM = 0100
(MIN. 0050-MAX.0400)
STANDARD = 0100, 0150, 0200
Tolerance: 50mm: ±2mm.
51-200mm: ±5mm.
201-400mm: ±7mm.

O-RING MATERIAL:
E = EPDM, BLACK (STANDARD)
S = SILICONE RUBBER, RED

WASHER AND NUT OPTIONS:
BLANK = SEPARATELY PACKED (STANDARD)
A = ALL ASSEMBLED WITH CONNECTOR



REV. DATE & DRN
TO: 20/06/73 - NYW RELEASE
11.04/07/73 - NYW
12.05/07/73 - CC
12.05/07/73 - CC
Add IP rating view.
Add MMCX detail view.
Add silicone rubber o-ring
Remove note 'Preliminary
Drawing'.

Scale: NTS	THIRD ANGLE	Unstated Tolerances: X ±0.2 XX ±0.2 XXX ±0.2 ANGLES N/A
Drawn: CC		
App'd: XXX	Title CABLE ASSEMBLY	
Date: 15 JUL '24	Revision: 1.2	Unit: mm



IP Rated RF Products

www.gradconn.com

THIS DRAWING IS CONFIDENTIAL AND MUST NOT BE COPIED OR DISCLOSED WITHOUT WRITTEN CONSENT

Drawing Number: CAB580RF	
Sheet 1	of 1
Drawing	E and O E