

CAB589RF: RP SMA STRAIGHT PLUG + RP SMA RIGHT ANGLE BULKHEAD JACK W/O-RING RATED TO IP67/68 + RG178 CABLE, 6GHz

SPECIFICATIONS :

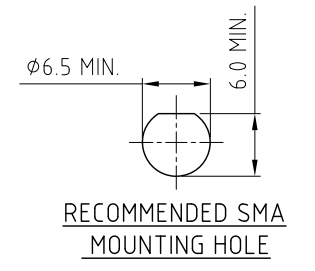
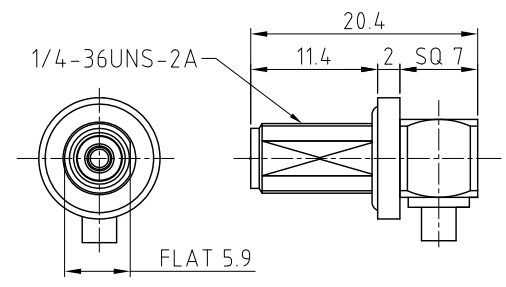
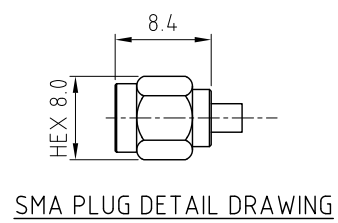
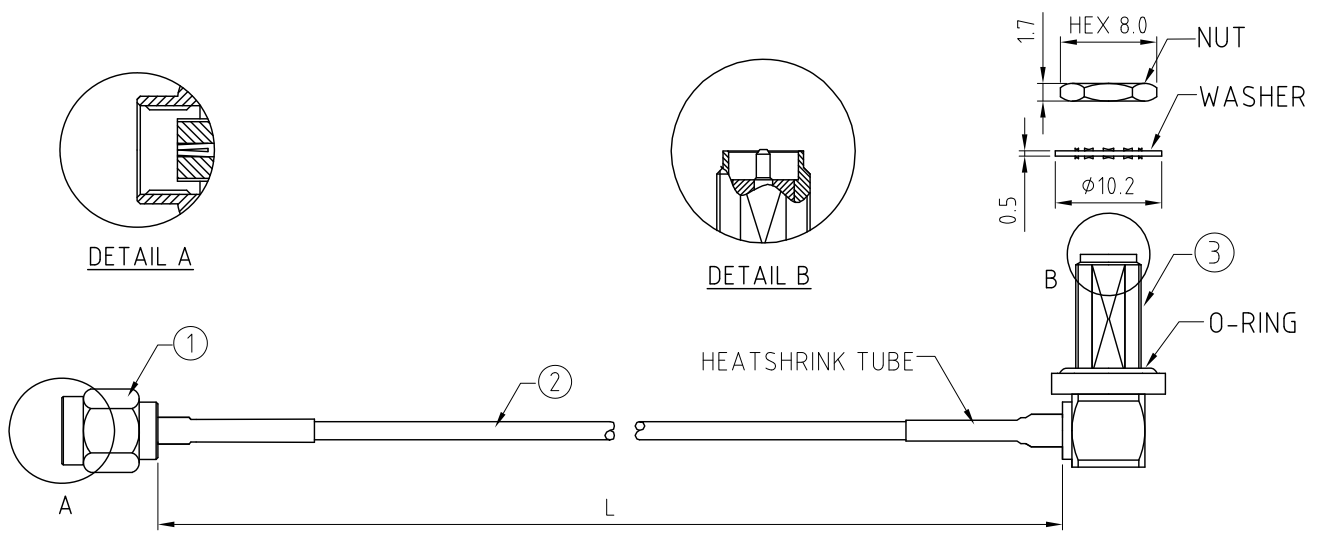
1. RP SMA STRAIGHT PLUG, P/N: RFCT-SMA017-M78.
2. RG178 COAXIAL CABLE, COLOR: BROWN.
3. RP SMA RIGHT ANGLE BULKHEAD JACK W/O-RING RATED TO IP67/68, P/N: RFCT-SMA077-F78 W/SILICONE O-RING, OR RFCT-SMA077-F78-3 W/FLUOROSILICONE O-RING.

ENVIRONMENTAL:

- A. BULKHEAD MOUNTED CONNECTOR (RFCT-SMA077-F78) RATED TO THE FOLLOWING SPECIFICATION:
- i. IP6X - DUST TIGHT - NO PARTICLE INGRESS.
 - ii. IPX7 WATERPROOF FOR 30 MINUTES UP TO 1 METER UNDERWATER.
 - iii. IPX8 WATERPROOF FOR 48 HOURS AT 1 METER UNDERWATER.

NOTES:

1. WORKING FREQUENCY RANGE: DC-6GHz.
2. OPERATING TEMPERATURE: -40°C~+125°C
3. IMPEDANCE: 50 OHM.



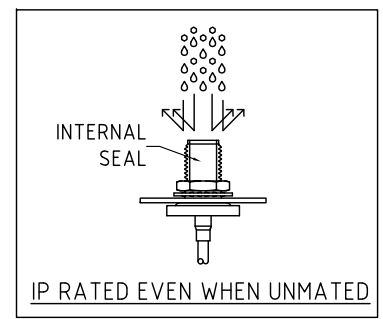
HOW TO ORDER
 CAB589RF - X X X X - X - 1 - X

"L" LENGTH IN MM:
 eg: 100MM = 0100
 (MIN. 0050-MAX.2000
 STANDARD = 0100, 0150, 0200)
 Tolerance: 50mm: ± 2 mm.
 51-200mm: ± 5 mm.
 201-500mm: ± 7 mm.
 501-999mm: ± 10 mm.
 ≥ 1000 mm: $\pm (L \times 0.02)$ mm.

O-RING OPTIONS:
 S = SILICONE, COLOR: RED
 F = FLUOROSILICONE, COLOR: BLACK

CABLE SIZE:
 1 = RG178 CABLE, COLOR: BROWN.

WASHER AND NUT OPTIONS:
 BLANK = SEPARATELY PACKED (STANDARD)
 A = ALL ASSEMBLED WITH CONNECTOR



REV. DATE & DRN
 TO: 15/07/23 - NYW RELEASE
 11/25/07/24 - CC
 ADD IP RATING VIEW
 ADD SMA PLUG DETAIL VIEW.

Scale: NTS	THIRD ANGLE	Unstated Tolerances: X ± 0.2 XX ± 0.2 XXX ± 0.2 ANGLES N/A
Drawn: CC		
App'd: XXX	Title CABLE ASSEMBLY	
Date: 25 JUL '24	Revision: 1.1	Unit: mm



IP Rated RF Products



www.gradconn.com

Drawing Number: CAB589RF	
Sheet 1	of 1
Drawing	E and O E