

CAB599RF: MMCX RIGHT ANGLE PLUG + S/S TNC FEMALE STRAIGHT BULKHEAD JACK W/EPDM O-RING RATED TO IP67/68 + RG174 CABLE, 3GHz

SPECIFICATIONS:

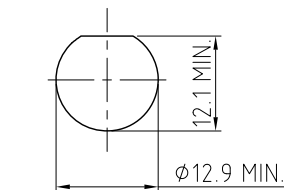
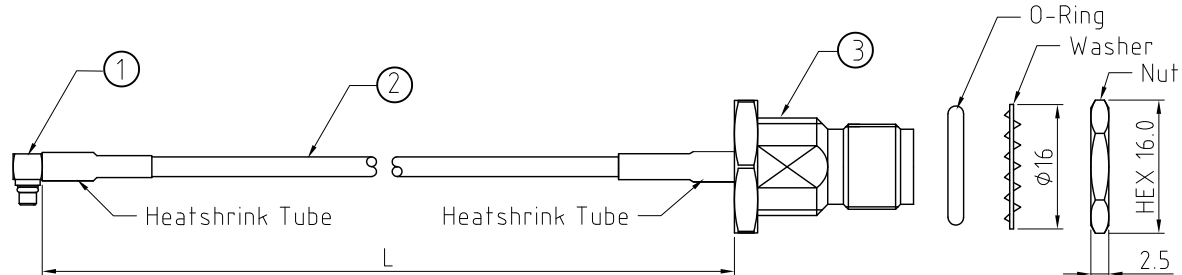
1. MMCX RIGHT ANGLE PLUG, P/N: RFCT-MMCX004-M74.
2. RG174 COAXIAL CABLE, COLOR: BLACK.
3. TNC STRAIGHT BULKHEAD JACK W/O-RING, W/SUS303 STAINLESS STEEL BODY, RATED TO IP67/68, P/N: RFCT-TNC024-F74 (WITH SILICONE O-RING), RFCT-TNC024-F74-1 (WITH EPDM O-RING).

ENVIRONMENTAL:

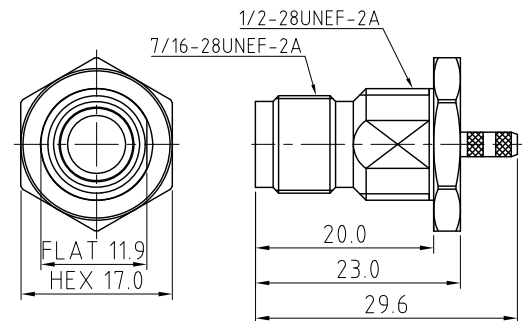
- A. BULKHEAD MOUNTED CONNECTOR (RFCT-TNC024-F74) RATED TO THE FOLLOWING SPECIFICATION:
- i. IP6X - DUST TIGHT - NO PARTICLE INGRESS.
  - ii. IPX7 WATERPROOF FOR 30 MINUTES UP TO 1 METER UNDERWATER.
  - iii. IPX8 WATERPROOF FOR 48 HOURS AT 1 METER UNDERWATER.

NOTES:

1. THE ORIENTATION OF CONNECTORS ON DRAWING IS FOR REFERENCE ONLY, IF THE ORDER IS LEFT BLANK THE CONNECTOR WILL NOT HAVE FIXED ORIENTATION.
2. FIXED ORIENTATION IS SUGGESTED FOR CABLE LENGTH 50MM TO 100MM. PLEASE SPECIFY THE FIXED ORIENTATIONS FROM THE ORDER CODE (F1, F2, ETC)
3. CONTACT GRADCONN IF THE ORIENTATION YOU REQUIRE IS NOT SHOWN.
4. WORKING FREQUENCY RANGE: DC-3GHz.
5. OPERATING TEMPERATURE: -20°C TO +80°C
6. IMPEDANCE: 50 OHM
7. IF THE CONNECTOR IS USED IN A CORROSIVE ENVIRONMENT, WE RECOMMEND THE CONNECTOR FACE IS PROTECTED WITH A STAINLESS STEEL DUST CAP.
8. PLEASE USE THE RECOMMENDED TORQUE FORCES FOR STAINLESS STEEL CONNECTORS. THIS IS PUBLISHED ON GRADCONN.COM RESOURCES PAGE.



RECOMMENDED TNC MOUNTING HOLE



TNC DETAIL DRAWING

HOW TO ORDER

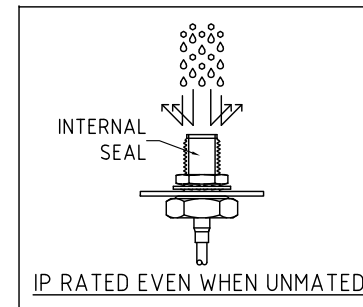
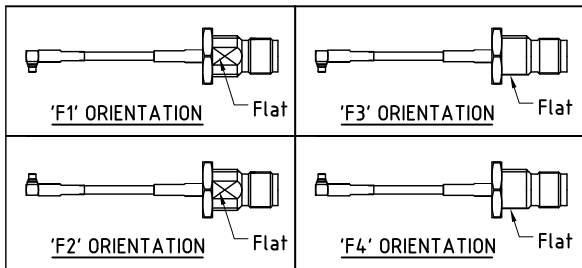
CAB599RF - X X X X - X X - X - 1 - X

"L" LENGTH IN MM  
 eg: 100MM = 0100  
 (MIN. = 0050, MAX. = 2000, STANDARD = 0100, 0150, 0200)  
 Tolerance: 50-200mm: ±5mm.  
 201-500mm: ±7mm.  
 500-999mm: ±10mm.  
 ≥1000mm: ±(Lx0.02)mm.

O-RING MATERIAL OPTIONS:  
 S = SILICONE, COLOR: RED  
 E=EPDM, COLOR: BLACK (STANDARD)

O-RING, WASHER AND NUT OPTIONS:  
 BLANK = SEPARATELY PACKED (STANDARD)  
 A = ASSEMBLED WITH CONNECTOR

ORIENTATION OPTIONS:  
 BLANK = DOES NOT HAVE A FIXED ORIENTATION  
 F1 = MMCX CONNECTION DOWN (L=50-200MM)  
 F2 = MMCX CONNECTION UP (L=50-200MM)  
 F3 = MMCX CONNECTION SAME AS TNC D-FLAT (L=50-200MM)  
 F4 = MMCX CONNECTION OPPOSITE TO TNC D-FLAT (L=50-200MM)  
 (SEE NOTES 1, 2, 3 AND DIAGRAMS FOR MORE INFORMATION)



REV. DATE & DRN  
 TO: 28/09/23 - NYW RELEASE  
 11: 07/02/24 - NYW  
 ADD SILICONE O-RING OPTION  
 ADD EPDM O-RING OPTION  
 ADD IP RATING ICON  
 12: 25/04/24 - CC  
 Add frequency 3GHz to title

|                   |                      |  |
|-------------------|----------------------|--|
| Scale: NTS        | THIRD ANGLE          | Unstated Tolerances:<br>.X ±0.2<br>.XX ±0.2<br>.XXX ±0.2<br>ANGLES N/A |
| Drawn: CC         |                      |  |
| App'd: XXX        | Title CABLE ASSEMBLY |  |
| Date: 25 APR. '24 | Revision: 1.2        | Unit: mm   |

IP Rated RF Products

www.gradconn.com

|                             |           |
|-----------------------------|-----------|
| Drawing Number:<br>CAB599RF |           |
| Sheet 1                     | of 1      |
| Drawing ©                   | E and O E |