

CAB628RF: I-PEX MHF 4L PLUG + EXTENDED THREAD SMA STRAIGHT BULKHEAD JACK WITH O-RING + Ø1.13MM CABLE, RATED TO IP67, 6GHz

SPECIFICATIONS :

1. I-PEX MHF 4L PLUG, P/N: 20565-001R-13.
2. Ø1.13MM CABLE, COLOR: GRAY
3. SMA STRAIGHT BULKHEAD JACK WITH O-RING RATED TO IP67, P/N: RFCT-SMA135-F13.

ENVIRONMENTAL:

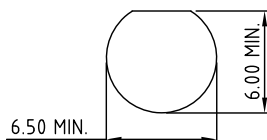
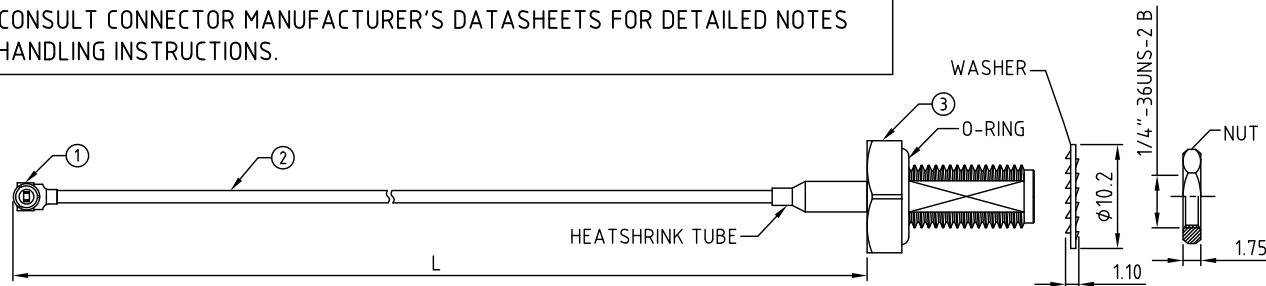
- A. BULKHEAD MOUNTED CONNECTOR (RFCT-SMA135-F13)
- i. IP6X - DUST TIGHT - NO PARTICLE INGRESS.
  - ii. IPX7 WATERPROOF FOR 30 MINUTES UP TO 1 METER UNDERWATER.

NOTES:

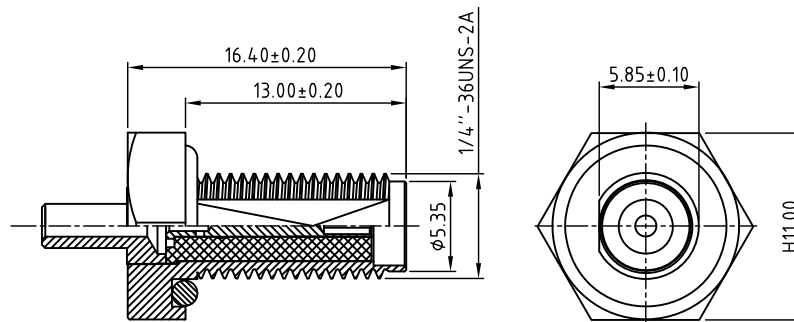
1. THE ORIENTATION OF CONNECTORS ON DRAWING IS FOR REFERENCE ONLY, IF THE ORDER IS LEFT BLANK THE CONNECTOR WILL NOT HAVE FIXED ORIENTATION.
2. FIXED ORIENTATION IS SUGGESTED FOR CABLE LENGTH 50MM TO 100MM. PLEASE SPECIFY THE FIXED ORIENTATIONS FROM THE ORDER CODE (F1, F2, ETC)
3. CONTACT GRAD CONN IF THE ORIENTATION YOU REQUIRE IS NOT SHOWN.
4. WORKING FREQUENCY RANGE: DC-6GHz.
5. OPERATING TEMPERATURE: -40°C TO +85°C
6. IMPEDANCE: 50 OHM

USAGE PRECAUTIONS: CABLES USING 'MICRO' COAX ARE DELICATE:

- (i) HANDLE WITH CARE.
- (ii) DO NOT TWIST; APPLY EXCESSIVE FORCES OR SHARP BENDS TO THE CABLE. DO NOT FORCEFULLY DEFORM WIRES.
- (iii) CONSULT CONNECTOR MANUFACTURER'S DATASHEETS FOR DETAILED NOTES ON HANDLING INSTRUCTIONS.



RECOMMENDED SMA MOUNTING HOLE



SMA JACK DETAIL DRAWING

HOW TO ORDER

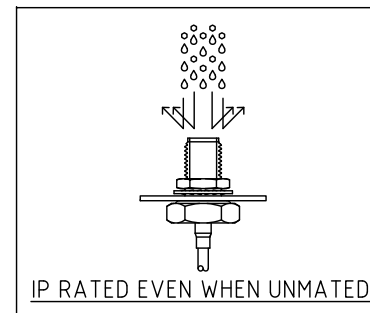
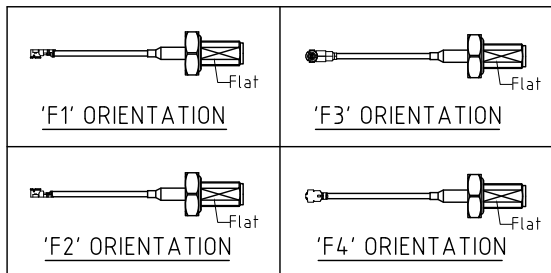
CAB628RF - X X X X - X X - X - 1

"L" LENGTH IN MM  
eg: 100MM = 0100  
(MIN. 0050-MAX.0400  
STANDARD = 0100, 0150, 0200)  
Tolerance: 50-200mm: ±5mm.  
201-400mm: ±7mm.

CABLE SIZE:  
1 = Ø1.13MM CABLE, COLOR: GRAY

WASHER AND NUT OPTIONS:  
BLANK = SEPERATELY PACKED (STANDARD)  
A = ASSEMBLED WITH CONNECTOR

ORIENTATION OPTIONS:  
BLANK = DOES NOT HAVE A FIXED ORIENTATION  
F1 = MHF CONNECTION DOWN (L=50-200MM)  
F2 = MHF CONNECTION UP (L=50-200MM)  
F3 = MHF CONNECTION AND D FLAT SAME ORIENTATION (L=50-200MM)  
F4 = MHF CONNECTION AND D FLAT OPPOSITE ORIENTATION (L=50-200MM)  
(SEE NOTES 1, 2, 3 AND DIAGRAMS FOR MORE INFORMATION)



REV. DATE & DRN  
1.0 25/07/24 - INTX RELEASE  
1.1 07/05/24 - CC  
Add note 'extended thread' to title

Scale: NTS	THIRD ANGLE	Unstated Tolerances:
Drawn: CC		.X ±0.2 .XX ±0.2 .XXX ±0.2 ANGLES N/A
App'd: XXX	Title CABLE ASSEMBLY	
Date: 17 MAY. '24	Revision: 1.1	Unit: mm

 IP Rated RF Products	 www.gradconn.com	Drawing Number: CAB628RF
		Sheet 1 of 1
© THIS DRAWING IS CONFIDENTIAL AND MUST NOT BE COPIED OR DISCLOSED WITHOUT WRITTEN CONSENT		Drawing © E and O E