

CABLE 348 RF: RF CABLE ASSEMBLY, I-PEX MHF + SMA BULKHEAD JACK + MULTIPLE CABLE SIZES - 6GHz

SPECIFICATIONS:

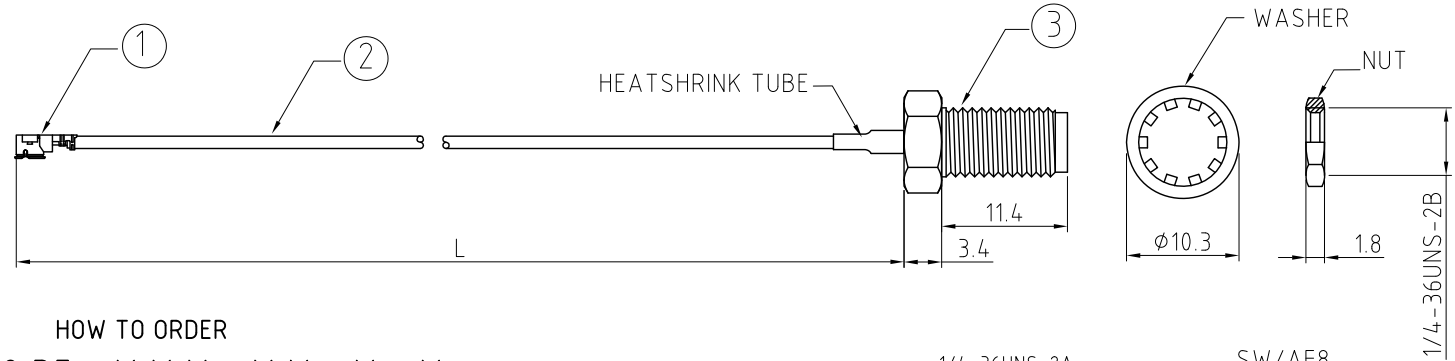
1. I-PEX MHF PLUG, P/N: FOR RG178 CABLE:20278-112R-18, FOR  $\phi$ 1.13MM &  $\phi$ 1.13MM LOW LOSS CABLE: 20278-112R-13
2. COAXIAL CABLE, SEE P/N OPTION FOR DETAIL.
3. SMA STRAIGHT BULKHEAD JACK, GOLD PLATED, P/N: FOR RG178 CABLE: RFCT-SMA139-F78. FOR  $\phi$ 1.13MM& $\phi$ 1.13MM LOW LOSS CABLE: RFCT-SMA059-F13.

USAGE PRECAUTIONS: CABLES USING 'MICRO' COAX ARE DELICATE:

- (i) HANDLE WITH CARE.
- (ii) DO NOT TWIST; APPLY EXCESSIVE FORCES OR SHARP BENDS TO THE CABLE. DO NOT FORCEFULLY DEFORM WIRES.
- (iii) CONSULT CONNECTOR MANUFACTURER'S DATASHEETS FOR DETAILED NOTES ON HANDLING INSTRUCTIONS.

NOTES:

1. THE ORIENTATION OF CONNECTORS ON DRAWING IS FOR REFERENCE ONLY, IF THE ORDER IS LEFT BLANK THE CONNECTOR WILL NOT HAVE FIXED ORIENTATION.
2. FIXED ORIENTATION IS SUGGESTED FOR CABLE LENGTH 25MM TO 100MM. PLEASE SPECIFY THE FIXED ORIENTATIONS FROM THE ORDER CODE (F1, F2, ETC)
3. CONTACT GRAD CONN IF THE ORIENTATION YOU REQUIRE IS NOT SHOWN.
4. WORKING FREQUENCY RANGE: DC-6GHz
5. OPERATING TEMPERATURE: -40°C TO +85°C
6. IMPEDANCE: 50 OHM
7. VSWR: 1.5 MAX.



HOW TO ORDER

CABLE 348 RF - XXX - XX - X - X

"L" LENGTH IN MM  
 eg: 100MM = 100  
 (MIN. 025-MAX.400)  
 STANDARD = 100, 150, 200)  
 Tolerance: <50mm :  $\pm$ 3mm.  
 51-200mm:  $\pm$ 5mm.  
 201-400mm:  $\pm$ 7mm.

CABLE SIZE OPTIONS:

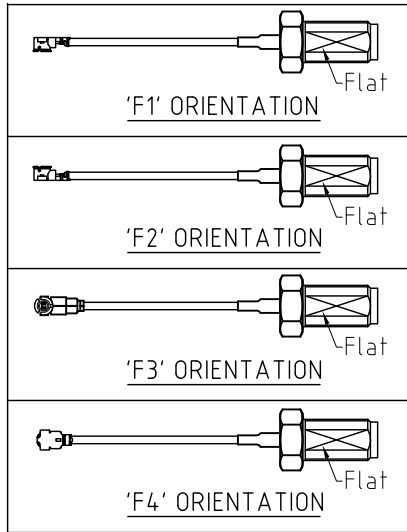
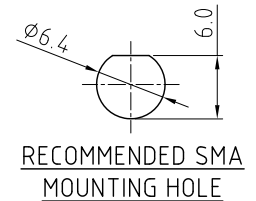
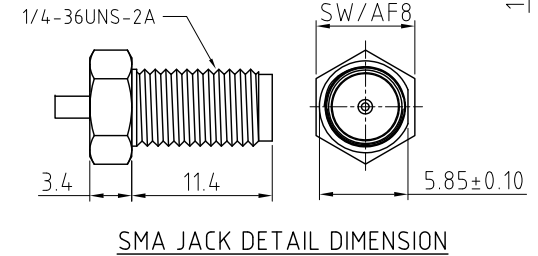
- 1 =  $\phi$ 1.13MM CABLE, COLOR: GRAY.
- 2 = RG178 CABLE, COLOR: BROWN.
- 3 =  $\phi$ 1.13MM LOW LOSS CABLE, COLOR: GRAY.
- 4 =  $\phi$ 1.13MM CABLE, COLOR: BLACK.

WASHER AND NUT OPTIONS:

- BLANK = SEPARATELY PACKED (STANDARD)  
 A = ASSEMBLED WITH CONNECTOR  
 C = ACCESSORIES NOT SUPPLIED

ORIENTATION OPTIONS:

- BLANK = DOES NOT HAVE A FIXED ORIENTATION  
 F1 = MHF CONNECTION DOWN (L=25-200MM)  
 F2 = MHF CONNECTION UP (L=25-200MM)  
 F3 = MHF CONNECTION AND D FLAT SAME ORIENTATION (L=25-200MM)  
 F4 = MHF CONNECTION AND D FLAT OPPOSITE ORIENTATION (L=25-200MM)  
 (SEE NOTES 1, 2, 3 AND DIAGRAMS FOR MORE INFORMATION)



REV. DATE & DRN	10 03/07/19 - NYW RELEASE
	11 23/06/20 - NYW
	12 17/02/23 - NYW
	13 07/07/23 - NYW
	14 08/07/20 - NYW
	15 26/08/20 - NYW
	16 09/09/20 - NYW
	17 05/07/24 - CC
	18 27/05/24 - CC
	19 19/06/24 - CC

10	Change dimension from 5.85±0.10 to 5.85±0.10
11	05/07/24 - CC
12	Add washer and nut options
13	Add cable size options
14	Add 1.13MM LL cable option
15	Add 1.13mm black cable option

Scale:	NTS	THIRD ANGLE	Unstated Tolerances:	Material
Drawn:	CC		.X $\pm$ 0.5 .XX $\pm$ 0.2	SEE NOTE
App'd:	XXX		ANGLES $\pm$ 5	NOT TO SCALE
Date:	19 JUN '24	Revision:	1.9	Unit: mm

www.gradconn.com

Type:	Cable 348 RF
CABLE 348 RF	
Drawing Number:	
Sheet 1 of 1	
Drawing	E and O E