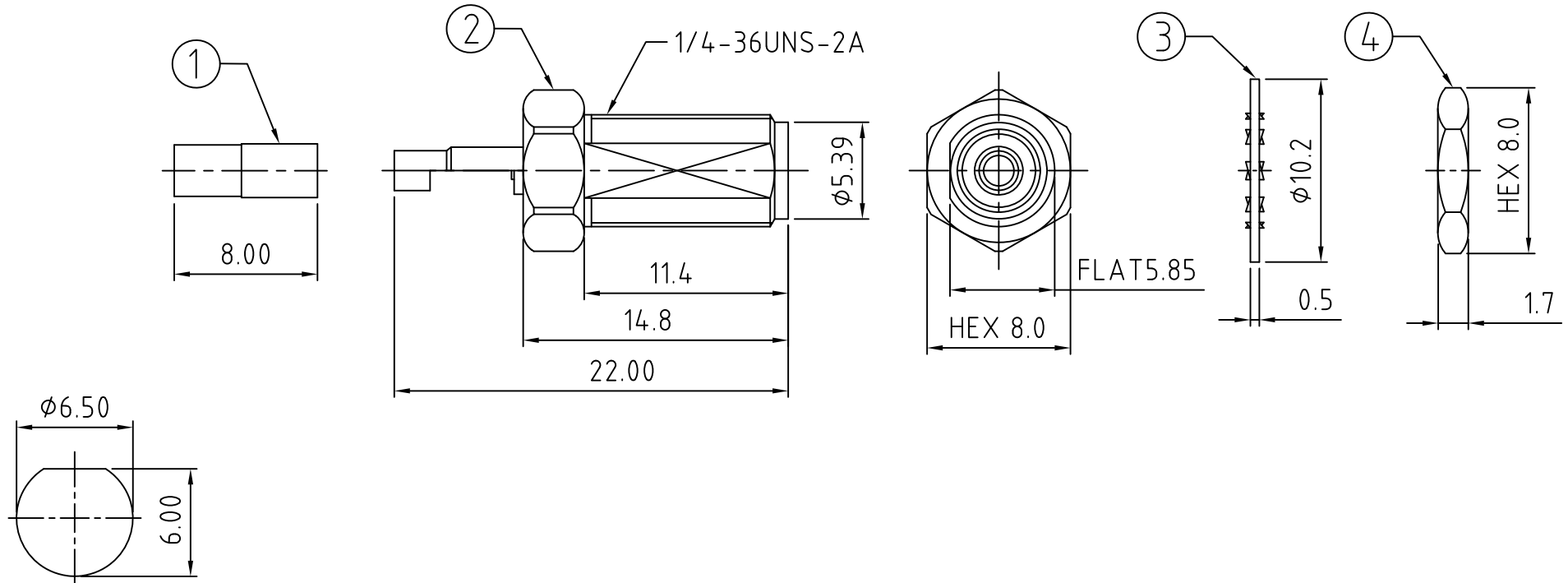


RFCT-SMA010-F78 : SMA STRAIGHT BULKHEAD JACK, SOLDER FOR $\phi 0.81$ - RG178 CABLE, 3GHz

Material and Plating:

1. Ferrule: Brass, Gold Plated.
2. Body: Brass, Gold Plated.
Pin: Phosphor Bronze, Gold Plated.
Insulator: Teflon.
3. Washer: Brass, Gold Plated.
4. Nut: Brass, Gold Plated.



RECOMMENDED SMA MOUNTING HOLE
 MAX. PANEL THICKNESS: 2.2MM
 TOLERANCE: ± 0.1

REV. DATE & DRN TO 15/11/23 - CC RELEASE

Scale: NTS	THIRD ANGLE	Unstated Tolerances: .X ± 0.1 .XX ± 0.1 .XXX ± 0.1 ANGLES $\pm 3^\circ$	Material SEE NOTE	 www.gradconn.com	Type: RFCT-SMA010-F78
Drawn: CC					RFCT-SMA010-F78
App'd: XXX	Title SMA BULKHEAD JACK		NOT TO SCALE		Drawing Number:
Date: 15 NOV. '23	Revision: 1.0		Unit: mm		Sheet 1 of 1
© THIS DRAWING IS CONFIDENTIAL AND MUST NOT BE COPIED OR DISCLOSED WITHOUT WRITTEN CONSENT					Drawing © E and O E