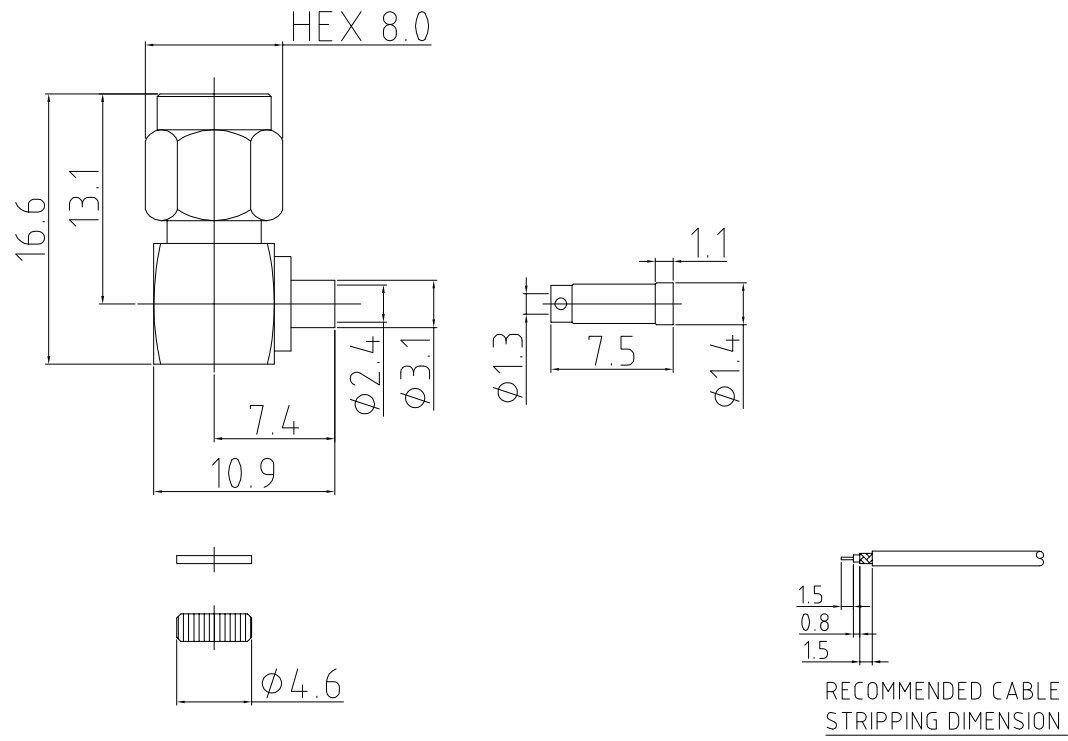


RFCT-SMA044-M37: SMA RIGHT ANGLE PLUG CRIMP FOR 1.37MM CABLE

Material and Plating:
 Body: Brass, Gold Plated.
 Pin: Brass, Gold Plated.
 Insulator A: Teflon.
 Shell: Brass, Gold Plated.
 Sleeve: Brass, Nickel Plated.
 Ring: Be Cu.
 Gasket: Silicone.
 Cap: Brass, Gold Plated.
 Insulator B: Teflon.



REV. DATE & DRN
1.0 12/03/13 - NYW RELEASE

Scale: NTS	THIRD ANGLE	Unstated .X .XX .XXX ANGLES	Tolerances: ±0.2 ±0.2 ±0.2 ±3°
Drawn: NYW			
App'd: XXX	Title SMA PLUG		
Date: 12 MAR. '13	Revision: 1.0	Unit: mm	



Type: RFCT-SMA044-M37
RFCT-SMA044-M37
Drawing Number:
Sheet 1 of 1
Drawing © E and O E

THIS DRAWING IS CONFIDENTIAL AND MUST NOT BE COPIED OR DISCLOSED WITHOUT WRITTEN CONSENT