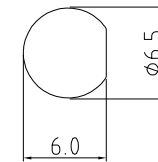
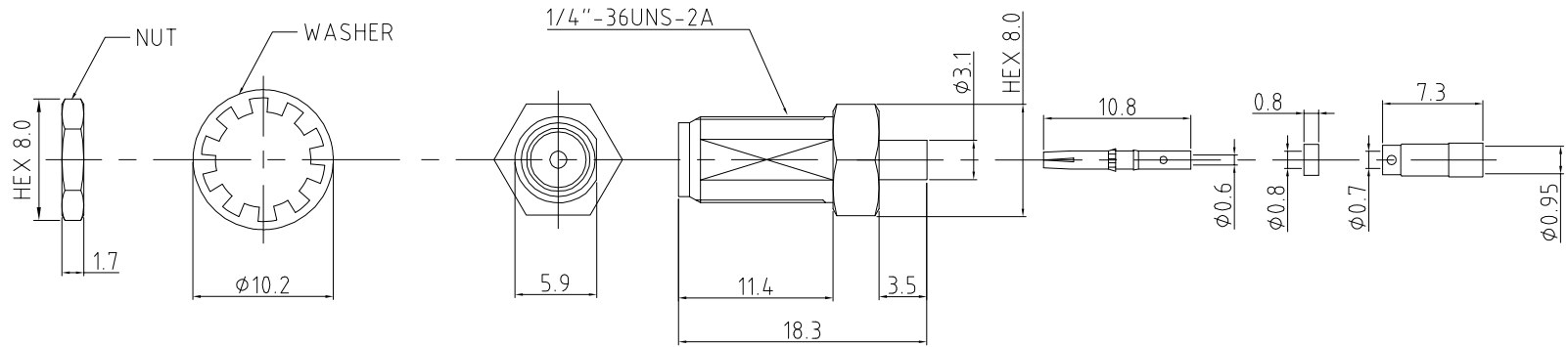


RFCT-SMA049-F08: SMA STRAIGHT BULKHEAD JACK CRIMP FOR 0.81MM CABLE

Material and Plating:
 Body: Brass, Gold Plated.
 Pin: Be Cu, Gold Plated.
 Insulator A: Teflon.
 Sleeve: Brass, Nickel Plated.
 Nut: Brass, Gold.
 Washer: Brass, Gold.
 Insulator B: Teflon.



RECOMMENDED MOUNTING HOLE

Scale: NTS	THIRD ANGLE	Unstated X .XX .XXX ANGLES	Tolerances: N/A N/A N/A N/A
Drawn: NYW			
App'd: XXX	Title SMA BULKHEAD JACK		
Date: 23 AUG. '18	Revision: 1.0	Unit: mm	



Type: RFCT-SMA049-F08
RFCT-SMA049-F08
Drawing Number:
Sheet 1 of 1
Drawing © E and O E