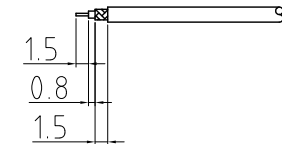
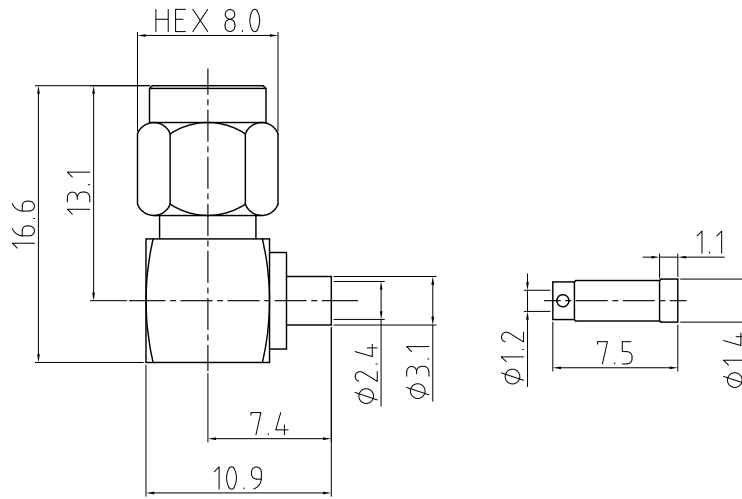



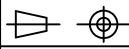
RFCT-SMA052-M32: SMA RIGHT ANGLE PLUG CRIMP FOR 1.32MM CABLE

Material and Plating:
 Body: Brass, Gold Plated.
 Pin: Brass, Gold Plated.
 Insulator A: Teflon.
 Shell: Brass, Gold Plated.
 Sleeve: Brass, Nickel Plated.
 Ring: Be Cu.
 Gasket: Silicone.
 Cap: Brass, Gold Plated.
 Insulator B: Teflon.



RECOMMENDED CABLE STRIPPING DIMENSION

REV. DATE & DRN
1.0 17/06/20 - CC RELEASE

Scale: NTS	THIRD ANGLE	Unstated Tolerances: .X ± 0.2 .XX ± 0.2 .XXX ± 0.2 ANGLES $\pm 3^\circ$	 www.gradconn.com	Type: RFCT-SMA052-M32
Drawn: CC				RFCT-SMA052-M32
App'd: XXX	Title SMA PLUG			Drawing Number:
Date: 17 JUN. '20	Revision: 1.0	Unit: mm		Sheet 1 of 1
© THIS DRAWING IS CONFIDENTIAL AND MUST NOT BE COPIED OR DISCLOSED WITHOUT WRITTEN CONSENT				Drawing © E and O E