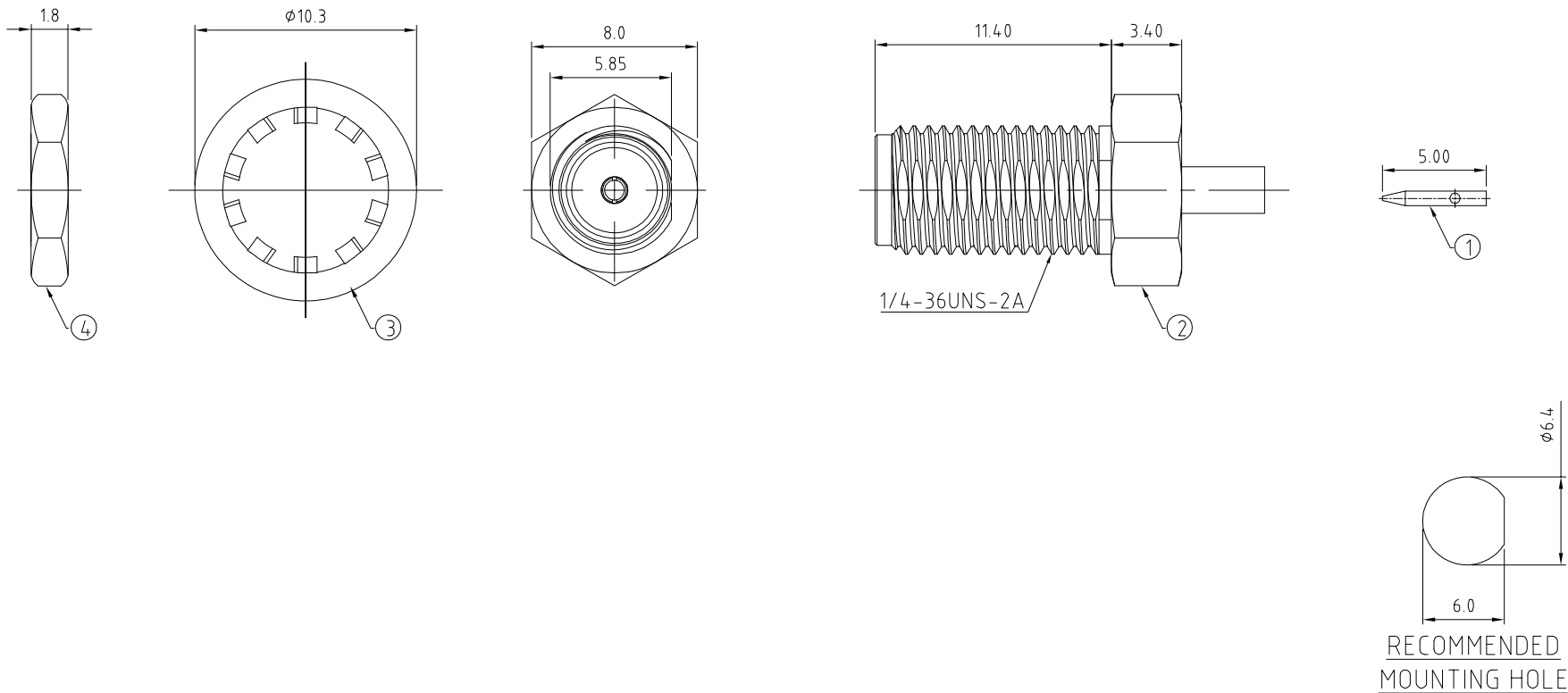


RFCT-SMA059-F13: SMA Straight Bulkhead Jack for 1.13 Cable, 6GHz

Material and plating:

1. Pin: Brass with Gold Plating
2. Body: Brass with Gold Plating
Insulator: PTFE
Center Pin: Brass with Gold Plating
3. Washer: Brass with Gold Plating
4. Nut: Brass with Gold Plating



REV. DATE & DRN
1.0 18/08/20 - NYW RELEASE

Scale: NTS	THIRD ANGLE	Unstated .X .XX .XXX ANGLES	Tolerances: ± 0.3 ± 0.2 N/A $\pm 1^\circ$	Material SEE NOTE
Drawn: NYW				
App'd: XXX	Title SMA JACK	NOT TO SCALE		
Date: 18 AUG. '20	Revision: 1.0	Unit: mm		

www.gradconn.com

© THIS DRAWING IS CONFIDENTIAL AND MUST NOT BE COPIED OR DISCLOSED WITHOUT WRITTEN CONSENT

Type: RFCT-SMA059-F13
RFCT-SMA059-F13
Drawing Number:
Sheet 1 of 1
Drawing © E and O E