

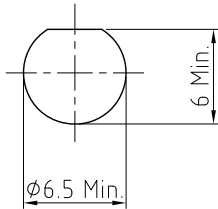
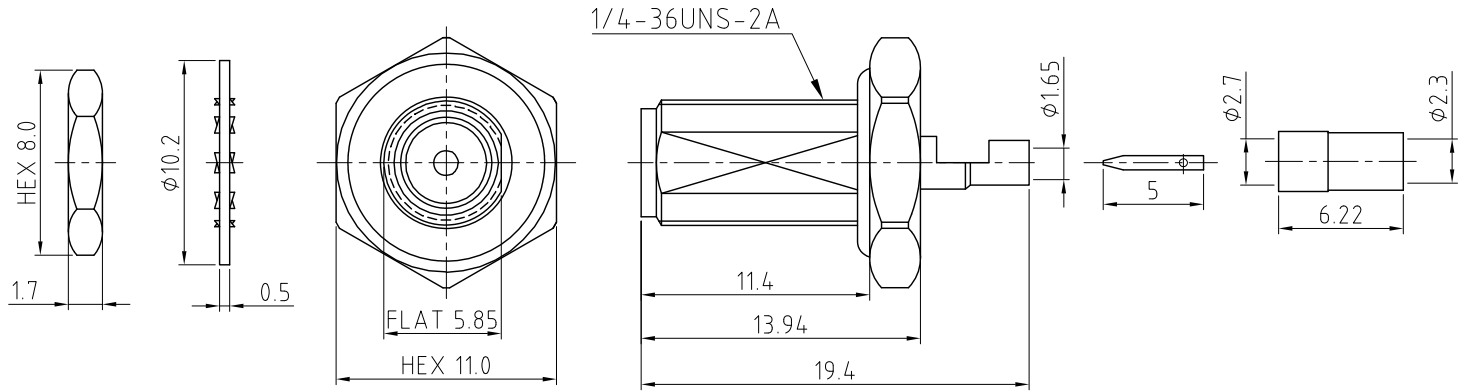
RFCT-SMA115-F78: SMA STRAIGHT BULKHEAD JACK, WITH O-RING, IP67/68, FOR 0.81/1.13/1.32/1.37/1.48/RG178 CABLES, 6GHz

Material and plating:

1. Nut: Brass, gold plated.
2. Washer: Brass, gold plated.
3. Body: Brass, gold plated.
Gasket: Silicone rubber, color: red.
O-ring: Silicone rubber, color: red.
Pin: Phosphor bronze, gold plated.
Insulator: Teflon.
4. Pin: Phosphor bronze, gold plated.
5. Ferrule: Brass, gold plated.

Environmental:

- A. Rated to:
- i. IP6x - Dust tight - no particle ingress.
 - ii. IPx7 Waterproof for 30 minutes up to 1 meter underwater.
 - iii. IPx8 Waterproof for 48 hours at 1 meter underwater.



Recommended Mounting Hole

REV. DATE & DRN
13 06/08/74 - CR RELEASE

Scale: NTS	THIRD ANGLE	Unstated .X .XX .XXX	Tolerances: ± 0.2 ± 0.2 ± 0.2
Drawn: CC		ANGLES	N/A
App'd: XXX	Title SMA PCB Connector		
Date: 8 AUG. '24	Revision: 1.0	Unit: mm	



IP Rated RF Products



www.gradconn.com

THIS DRAWING IS CONFIDENTIAL AND MUST NOT BE COPIED OR DISCLOSED WITHOUT WRITTEN CONSENT

Type: RFCT-SMA115-F78
RFCT-SMA115-F78
Drawing Number:
Sheet 1 of 1
Drawing © E and O E