

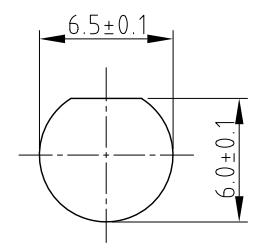
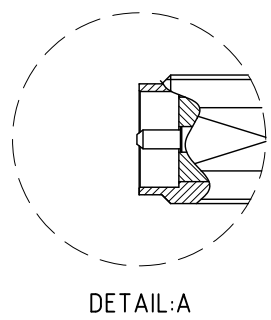
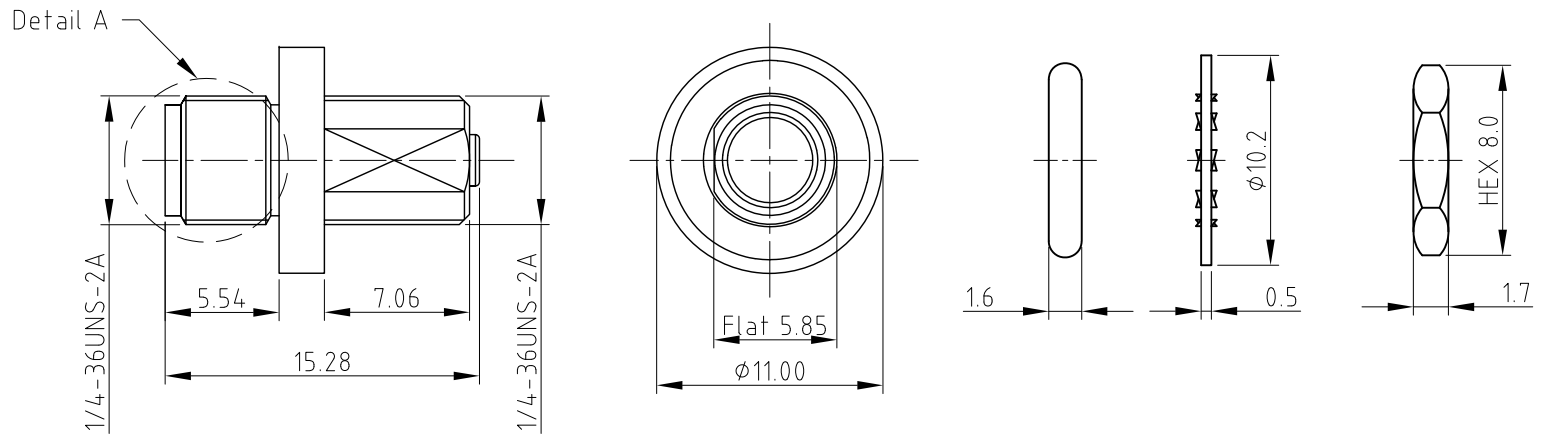
RFCT-SMA137-F08: RP Front Mount SMA Bulkhead Jack with O-ring, IP67/68, 0.81mm Cable, 6GHz

Material and Plating:

- 1. Body: Brass, Gold Plating
Insulator: Teflon
Pin: Brass, Gold Plating
Barrel: Brass, Gold Plating
Sleeve: Brass, Gold Plating
Gasket: Silicone Rubber, Red
- 2. Nut: Brass, Gold Plating
- 3. Washer: Brass, Gold Plating
- 4. O-ring: Silicone Rubber, Red

Environmental:

- A. Rated to:
 - i. IP6x - Dust tight - no particle ingress.
 - ii. IPx7 Waterproof for 30 minutes up to 1 meter underwater.
 - iii. IPx8 Waterproof for 48 hours at 1 meter underwater.



REV. DATE & DRN
1.0 16/05/24 - CC RELEASE

Scale: NTS	THIRD ANGLE	Unstated .X .XX .XXX	Tolerances: ± 0.2 ± 0.2 ± 0.2 ANGLES N/A
Drawn: CC			
App'd: XXX	Title SMA BULKHEAD JACK		
Date: 16 MAY. '24	Revision: 1.0	Unit: mm	



IP Rated RF Products



www.gradconn.com

THIS DRAWING IS CONFIDENTIAL AND MUST NOT BE COPIED OR DISCLOSED WITHOUT WRITTEN CONSENT

Type: RFCT-SMA137-F08
RFCT-SMA137-F08
Drawing Number:
Sheet 1 of 1
Drawing © E and O E