

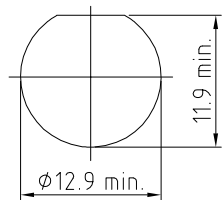
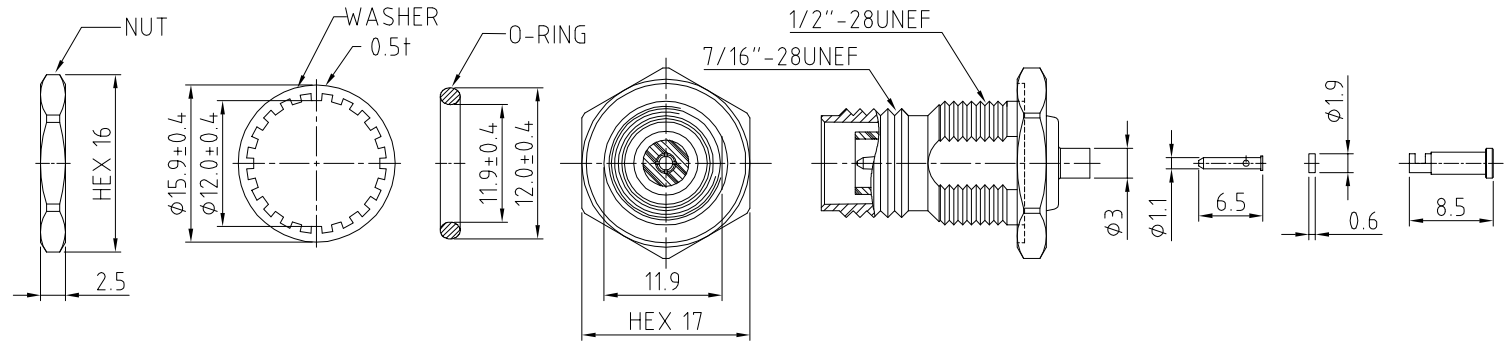
RFCT-TNC015-F32: RP TNC STRAIGHT BULKHEAD JACK WITH O-RING RATED TO IP67/68, FOR Ø1.32/1.32DS CABLE, 6GHz

Material and Plating:

- Ferrule: Brass, Gold Plated.
- Gasket: Silicon, Color: Red.
- Pin: Brass, Gold Plated.
- Center Contact: Bronze, Nickel Plated.
- Insulator A: Teflon.
- Insulator B: Teflon.
- Insulator C: Teflon.
- Body A: Brass, Nickel Plated.
- Body B: Brass, Nickel Plated.
- Bullet Contact: Brass, Gold Plated.
- O-ring: Silicon, Color: Black.
- Washer: Brass, Nickel Plated.
- Nut: Brass, Nickel Plated.

Environmental:

- A. Rated to:
 - i. IP6x - Dust tight - no particle ingress.
 - ii. IPx7 Waterproof for 30 minutes up to 1 meter underwater.
 - iii. IPx8 Waterproof for 48 hours at 1 meter underwater.



RECOMMENDED MOUNTING HOLE
MAX. PANEL THICKNESS: 4MM
TOLERANCE: ±0.1

REV. DATE & DRN
10 24/05/20 - NYW RELEASE

Scale: NTS	THIRD ANGLE	Unstated X .XX .XXX ANGLES	Tolerances: ±0.2 ±0.2 ±0.2 ±5
Drawn: NYW			
App'd: XXX	Title TNC BULKHEAD JACK		
Date: 24 MAY '20	Revision: 1.0	Unit: mm	

IP67/68 Rated Cables

www.gradconn.com

Type: RFCT-TNC015-F32
RFCT-TNC015-F32
Drawing Number:
Sheet 1 of 1
Drawing © E and O E