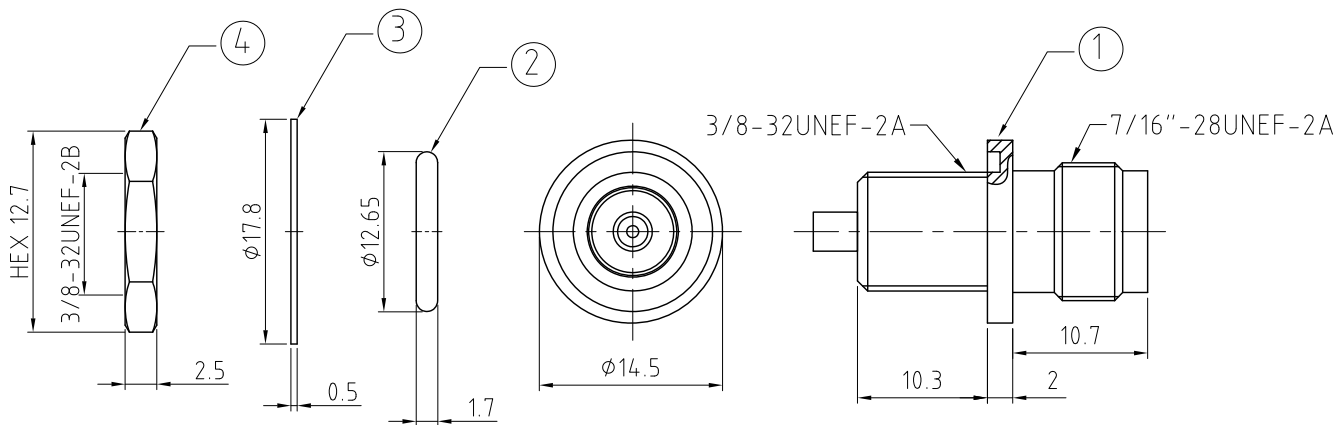


RFCT-TNC021-F78: FRONT MOUNT TNC STRAIGHT BULKHEAD JACK W/O-RING AND STAINLESS BODY, RATED TO IP67/68, FOR RG178 CABLE, 6GHz

Material and Plating:

1. Barrel: Brass, Nickel Plated.  
Gasket A: Teflon.  
Gasket B: Silicone, Red.  
O-ring B: Silicone, Red.  
Pin A: Brass, Gold Plated.  
Pin B: Phosphor Bronze, Gold Plated.  
Insulator A: Teflon.  
Insulator B: Teflon.  
Body: SUS303, Passivated.  
Sleeve: Brass, Nickel Plated.
2. O-ring A: See P/N for detail.
3. Washer: SUS304.
4. Nut: SUS303, Passivated.



Environmental:

- A. Rated to:
- i. IP6x - Dust tight - no particle ingress.
  - ii. IPx7 Waterproof for 30 minutes up to 1 meter underwater.
  - iii. IPx8 Waterproof for 48 hours at 1 meter underwater.

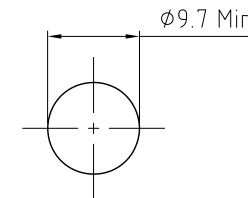
Notes:

1. Please use the recommended torque forces for stainless connectors. This is published on Gradconn.com resources page.

HOW TO ORDER

RFCT-TNC021-F78 - X

O-RING MATERIAL:  
BLANK = SILICONE RUBBER, COLOR: RED  
1 = EPDM, COLOR: BLACK (STANDARD)



RECOMMENDED TNC MOUNTING HOLE  
MAX. PANEL THICKNESS: 6.5MM  
(TOLERANCE: ±0.1)

REV. DATE & DRN  
10 19/06/23 - N/W RELEASE  
11 15/07/24 - CC  
Add silicone rubber o-ring.  
Remove note 'Preliminary  
Drawing from drawing.

Scale: NTS	THIRD ANGLE	Unstated .X .XX .XXX ANGLES	Tolerances: ±0.2 ±0.2 ±0.2 N/A
Drawn: CC			
App'd: XXX	Title TNC BULKHEAD JACK		
Date: 15 JUL '24	Revision: 1.1	Unit: mm	



IP Rated RF Products



www.gradconn.com

THIS DRAWING IS CONFIDENTIAL AND MUST NOT BE COPIED OR DISCLOSED WITHOUT WRITTEN CONSENT

Type: RFCT-TNC021-F78
RFCT-TNC021-F78
Drawing Number:
Sheet 1 of 1
Drawing © E and O E