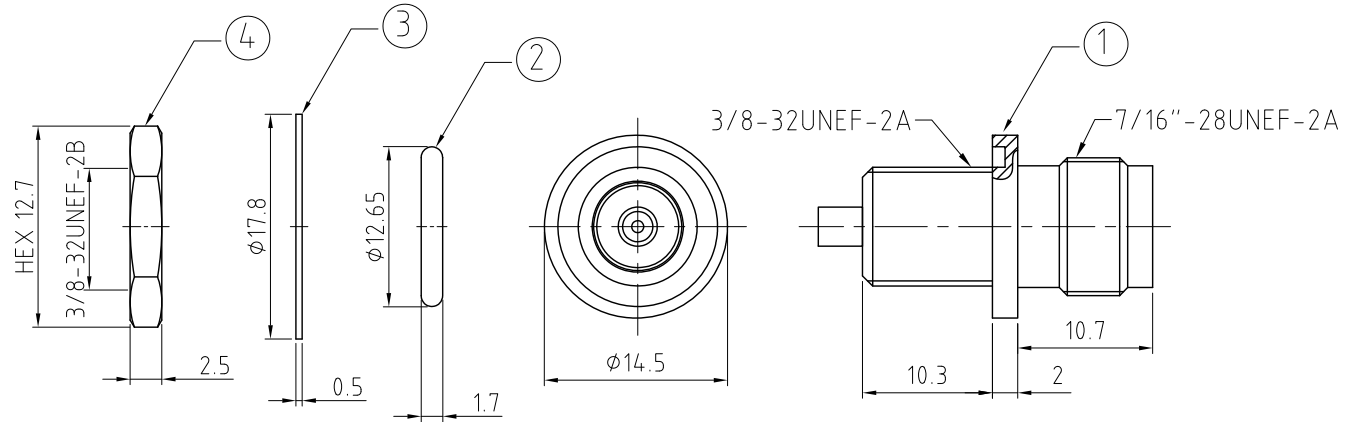


RFCT-TNC022-F78: FRONT MOUNT TNC STRAIGHT BULKHEAD JACK W/O-RING AND STAINLESS BODY, RATED TO IP67/68, FOR RG178 CABLE, 6GHZ

Material and Plating:

- 1. Barrel: Brass, Nickel Plated.
Gasket A: Teflon.
Gasket B: Silicone, Red.
O-ring B: Silicone, Red.
Pin A: Brass, Gold Plated.
Pin B: Phosphor Bronze, Gold Plated.
Insulator A: Teflon.
Insulator B: Teflon.
Body: SUS316, Passivated.
Sleeve: Brass, Nickel Plated.
- 2. O-ring A: See P/N for detail.
- 3. Washer: SUS316.
- 4. Nut: SUS316, Passivated.



Environmental:

- A. Rated to:
 - i. IP6x - Dust tight - no particle ingress.
 - ii. IPx7 Waterproof for 30 minutes up to 1 meter underwater.
 - iii. IPx8 Waterproof for 48 hours at 1 meter underwater.

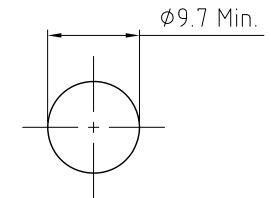
Notes:

1. Please use the recommended torque forces for stainless connectors. This is published on Gradconn.com resources page.

HOW TO ORDER

RFCT-TNC022-F78 - X

O-RING MATERIAL:
 BLANK = SILICONE RUBBER, COLOR: RED
 1 = EPDM, COLOR: BLACK (STANDARD)



RECOMMENDED TNC MOUNTING HOLE
 MAX. PANEL THICKNESS: 6.5MM
 (TOLERANCE: ± 0.1)

REV. DATE & DRN
 TO: 30/06/23 - NYW RELEASE
 11: 05/07/23 - NYW
 12: 06/07/23 - NYW
 13: 07/07/23 - NYW
 Add silicone rubber o-ring
 Remove note 'Preliminary Drawing' from drawing.

Scale: NTS	THIRD ANGLE	Unstated Tolerances: .X ± 0.2 .XX ± 0.2 .XXX ± 0.2 ANGLES N/A
Drawn: CC		
App'd: XXX	Title TNC BULKHEAD JACK	
Date: 15 JUL. '24	Revision: 1.2	Unit: mm



IP Rated RF Products



www.gradconn.com

THIS DRAWING IS CONFIDENTIAL AND MUST NOT BE COPIED OR DISCLOSED WITHOUT WRITTEN CONSENT

Type: RFCT-TNC022-F78
RFCT-TNC022-F78
Drawing Number:
Sheet 1 of 1
Drawing © E and O E