

RFCT-TNC024-F74: STAINLESS STEEL TNC STRAIGHT BULKHEAD JACK WITH O-RING RATED TO IP67/68, FOR RG174/RG316 CABLE, 6GHz

Material and Plating:

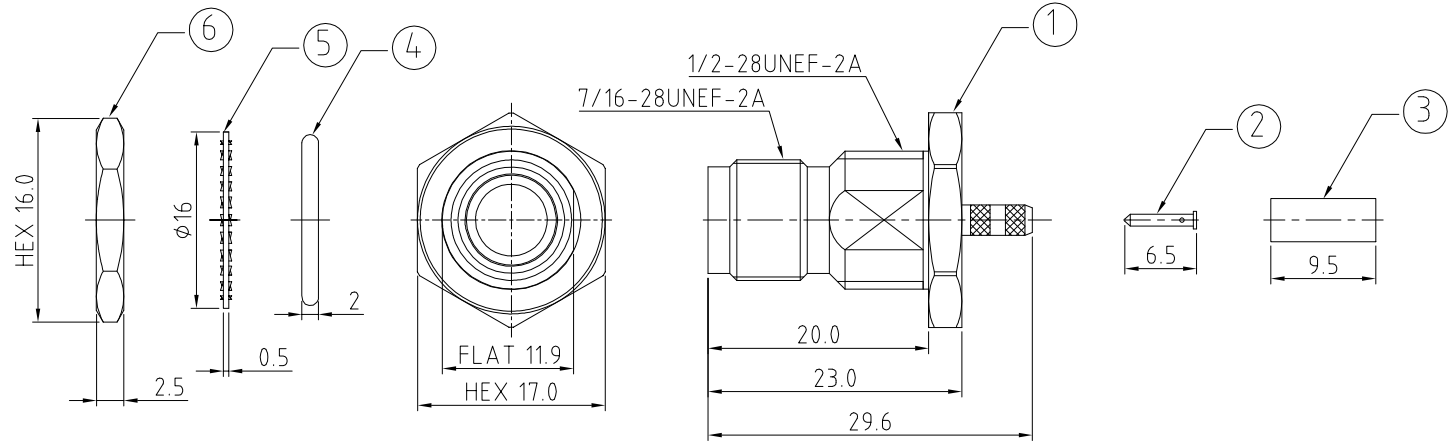
1. Barrel: Brass, Nickel Plated.  
Gasket: Silicone, Red.  
Pin A: Brass, Gold Plated.  
Pin B: Phosphor Bronze, Gold Plated.  
O-ring: Silicone, Red.  
Insulator A: Teflon.  
Insulator B: Teflon.  
Body: SUS303 Stainless Steel, Passivated.
2. Pin A: Brass, Gold Plated
3. Ferrule: Brass, Nickel Plated.
4. O-ring: See P/N options.
5. Washer: Stainless Steel, Nickel Plated.
6. Nut: Stainless Steel, Passivated.

Environmental:

- A. Rated to:
- i. IP6x - Dust tight - no particle ingress.
  - ii. IPx7 Waterproof for 30 minutes up to 1 meter underwater.
  - iii. IPx8 Waterproof for 48 hours at 1 meter underwater.

Notes:

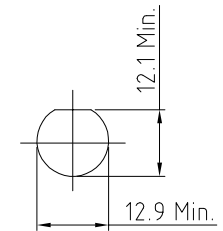
1. Please use the recommended torque forces for stainless connectors. This is published on Gradconn.com resources page.



HOW TO ORDER

RFCT-TNC024-F74-X

O-RING OPTIONS:  
BLANK = SILICONE, COLOR: RED  
1 = EPDM, COLOR: BLACK (STANDARD)



RECOMMENDED TNC MOUNTING HOLE  
MAX. PANEL THICKNESS: 4MM  
(TOLERANCE: ±0.1)

REV. DATE & DRN  
10 23/09/23 - NYW RELEASE

Scale: NTS	THIRD ANGLE	Unstated Tolerances: X ±0.2 .XX ±0.2 .XXX ±0.2 ANGLES N/A
Drawn: NYW		
App'd: XXX	Title TNC BULKHEAD JACK	
Date: 23 SEP. '23	Revision: 1.0	Unit: mm

IP Rated RF Products

www.gradconn.com

Type: RFCT-TNC024-F74
RFCT-TNC024-F74
Drawing Number:
Sheet 1 of 1
Drawing © E and O E