

RFPC-SMA31-FN: SMA Bulkhead Jack With O-ring, Edge Mount, IP67, 6GHz

Material and Plating:

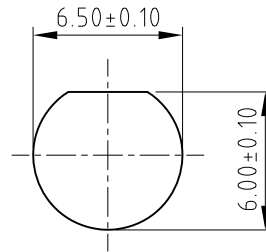
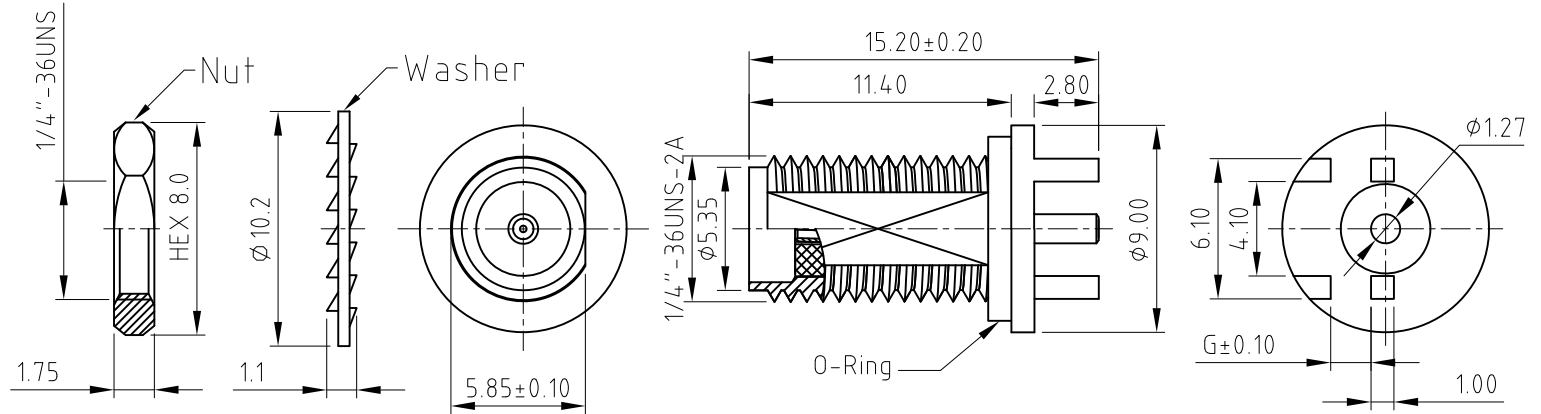
- Body: Brass, Nickel Plated.
- Pin: Brass, Gold Plated.
- Insulator: Teflon, White.
- O-ring: Silicone Rubber, Red.
- Washer: Brass, Nickel Plated.
- Nut: Brass, Nickel Plated.

Environmental:

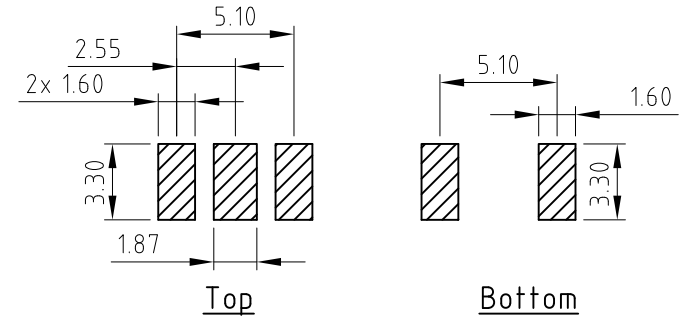
- A. Rated to:
 - i. IP6x - Dust tight - no particle ingress.
 - ii. IPx7 Waterproof for 30 minutes up to 1 meter underwater.

Notes:

- 1. Working Frequency Range: DC-6GHz.
- 2. Operating Temperature : -55°C to +125°C.
- 3. Impedance: 50 Ohm.
- 4. Recommended PCB Thickness: 0.80mm or 1.60mm.
Other PCB thickness available on request



Recommended Mounting Hole



Recommended Foot Print

Tolerance: ±0.05

HOW TO ORDER

RFPC - SMA31 - FN - XXX - X

DIMENSION G OPTIONS:
095 = 0.95MM, FOR 0.80MM PCB THICKNESS
175 = 1.75MM, FOR 1.60MM PCB THICKNESS

WASHER AND NUT OPTIONS:
BLANK = SEPARATELY PACKED (STANDARD)
A = ALL ASSEMBLED WITH CONNECTOR

Dimension G	Recommended PCB thickness
0.95	0.80
1.75	1.60

REV. DATE & DRN
01 25/04/24 - CC RELEASE
02 22/05/24 - CC
Add dimension G Options
Add Washer and Nut

Scale: NTS	THIRD ANGLE	Unstated .X .XX .XXX ANGLES	Tolerances: ±0.50 ±0.20 ±0.10 ±1°
Drawn: CC		Title SMA PCB Connector	
App'd: XXX	Revision: 0.2	Unit: mm	
Date: 23 MAY. '24			



IP Rated RF Products



www.gradconn.com

THIS DRAWING IS CONFIDENTIAL AND MUST NOT BE COPIED OR DISCLOSED WITHOUT WRITTEN CONSENT

Type: RFPC-SMA31-FN
RFPC-SMA31-FN
Drawing Number:
Sheet 1 of 1
Drawing © E and O E