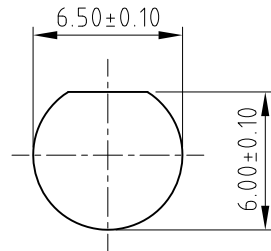
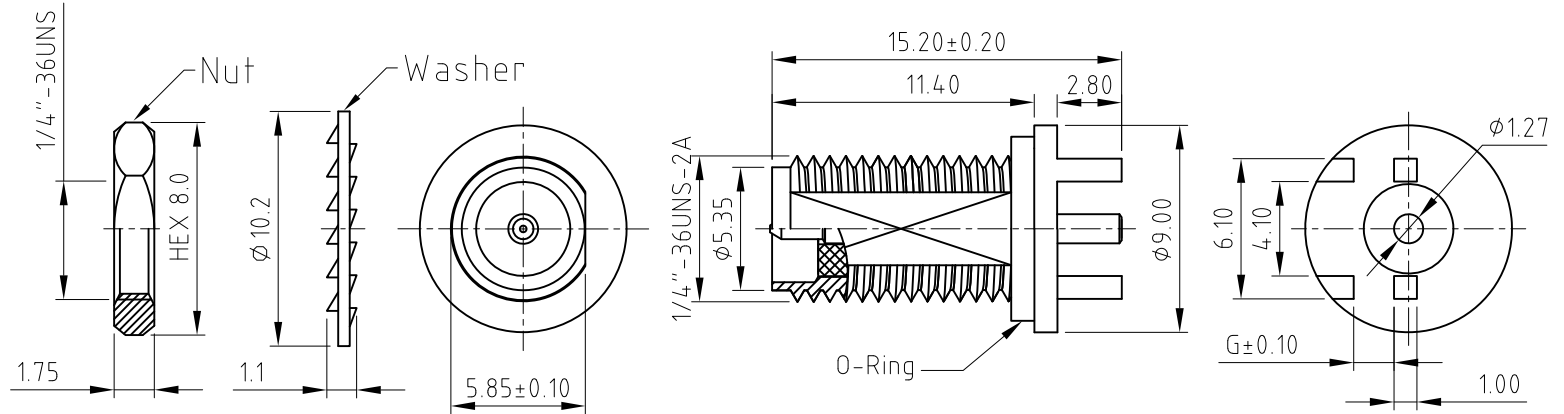


RFPC-SMA32-FN: RP SMA Bulkhead Jack With O-ring, Edge Mount, IP67, 6GHz

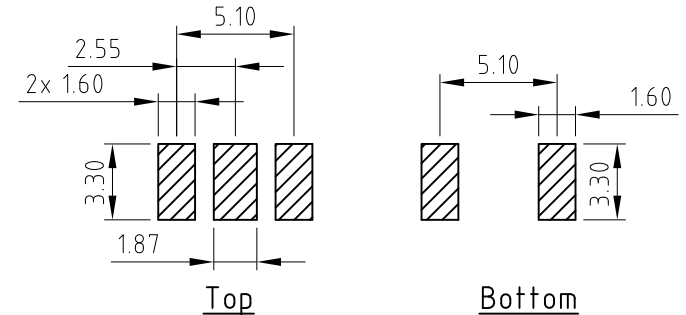
Material and Plating:
 Body: Brass, Nickel Plated.
 Pin: Brass, Gold Plated.
 Insulator: Teflon, White.
 O-ring: Silicone Rubber, Red.
 Washer: Brass, Nickel Plated.
 Nut: Brass, Nickel Plated.

Environmental:
 A. Rated to:
 i. IP6x - Dust tight - no particle ingress.
 ii. IPx7 Waterproof for 30 minutes up to 1 meter underwater.

Notes:
 1. Working Frequency Range: DC-6GHz.
 2. Operating Temperature : -55°C to +125°C.
 3. Impedance: 50 Ohm.
 4. Recommended PCB Thickness: 0.8mm or 1.6mm.
 Other PCB thickness available on request



Recommended Mounting Hole



Recommended Foot Print

Tolerance: ±0.05

HOW TO ORDER
 RFPC - SMA32 - FN - XXX - X

DIMENSION G OPTIONS:
 095 = 0.95MM, FOR 0.80MM PCB THICKNESS
 175 = 1.75MM, FOR 1.60MM PCB THICKNESS

WASHER AND NUT OPTIONS:
 BLANK = SEPARATELY PACKED (STANDARD)
 A = ALL ASSEMBLED WITH CONNECTOR

Dimension G	Recommended PCB thickness
0.95	0.80
1.75	1.60

REV. DATE & DRN
 01 25/04/24 - CC RELEASE
 02 22/05/24 - CC
 All dimension 'G' Options
 Add Washer and Nut

Scale: NTS	THIRD ANGLE	Unstated .X .XX .XXX ANGLES	Tolerances: ±0.50 ±0.20 ±0.10 ±1°
Drawn: CC			
App'd: XXX	Title SMA PCB Connector		
Date: 23 MAY. '24	Revision: 0.2	Unit: mm	



IP Rated RF Products



www.gradconn.com

THIS DRAWING IS CONFIDENTIAL AND MUST NOT BE COPIED OR DISCLOSED WITHOUT WRITTEN CONSENT

Type: RFPC-SMA32-FN
RFPC-SMA32-FN
Drawing Number:
Sheet 1 of 1
Drawing © E and O E